

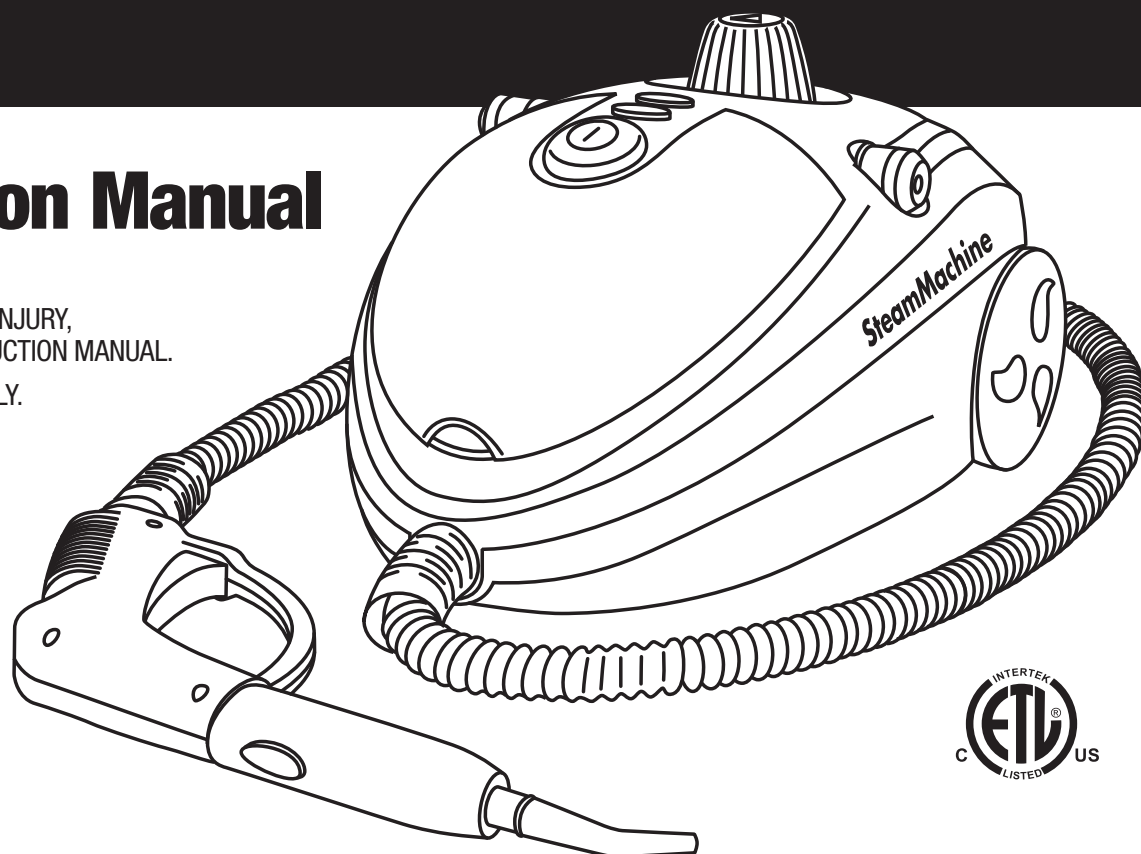


SteamMachine Elite

Instruction Manual

⚠ WARNING

TO REDUCE THE RISK OF INJURY,
USER MUST READ INSTRUCTION MANUAL.
FOR HOUSEHOLD USE ONLY.
KEEP CHILDREN AWAY
FROM WORK AREA.



Contents

Important Safeguards	2
Quick Start Quick Reference Guide	4
Filling the Water Tank	5
Steam Gun Operation	6
Assembling and Attaching Accessories	7
Cleaning and Storage	9
Troubleshooting	11
Parts List	12-13

Customer Service

1-800-264-5442 or 763-780-5115,
7:30 a.m. to 4:30 p.m. CST.

English (page 1)

Français (page 15)

Español (página 29)

Made in China

**Register Online Today
To Activate Your Two-Year Warranty**

Go online at www.homeright.com. See back page for warranty details.

HOMERIGHT	1661 94TH LANE NE, MINNEAPOLIS, MN 55449 · 800.523.6637
Part Number	C900134
File Name	C820581D_MAN_SteamMachine Elite.indd
Dimensions	Finish Size: A4 8.2677 in x 11.6929 in
Color Breaks	1 Color Black over 1 Color Black
Material Name	60# White Offset Stock (UNCOATED STOCK)
Finishing	Saddle stitch

Safeguards and Warnings

HomeRight will not be responsible for losses or damage resulting from use of this product in any manner not specifically stated in this manual. User assumes all risks associated with such non-specific use.

Before using this product, user must evaluate it and determine if it is suitable for intended application. User assumes all risks and liability associated with such use.

Read and Follow All Safeguards

The SteamMachine is safe when properly used but can be dangerous if misused. It is the responsibility of the user to read and understand all instructions, IMPORTANT SAFEGUARDS, and safety precautions before operating the unit and to use the unit properly. Failure to do so may result in product damage, personal injury or loss of life. User assumes all risks associated with improper use.

DO NOT try to repair (or disassemble) the unit yourself. Repairs should be performed by a qualified technician familiar with this unit or returned to HomeRight™ (see warranty). This unit is to be used with authorized parts only. **The user assumes all risks and liabilities when operating the unit with parts that do not comply with the manufacturers specifications.**

Warnings

- **DO NOT** operate the unit without water in the tank.
- **DO NOT** overfill the water tank. The unit can hold a maximum of 40 oz. of water. Over filling the water tank may cause damage to the machine and injury to the operator.
- **DO NOT** fill the water tank with any fluid other than water. Other cleaning agents could damage unit or cause injury. Distilled or de-mineralized water is HIGHLY RECOMMENDED in order to minimize build-up of mineral deposits.
- **DO NOT** run the unit for more than 1 hour at a time.
- **DO NOT** allow machine to run unattended at any time.
- **DO NOT** direct steam at people, animals or electrical devices.
- **DO NOT** touch main nozzle or attempt to connect attachments while unit is in use.
- **DO NOT** attempt to use the steam plate included with this unit as a cleaning devise. The steam plate is designed for wallpaper removal only.
- **DO NOT** touch bottom of brush head or attempt to attach a cleaning pad while unit is in use.
- **DO NOT** turn the machine over or tilt more than 45° when it is switched on or if it is still producing steam.
- **DO NOT** operate with a damaged cord, if the power cord is damaged it should be repaired by a qualified electrician.
- **DO NOT** pull or carry the SteamMachine by its cord.
- **DO NOT** unplug by pulling on cord. Always grasp the plug, not the cord.

- **DO NOT** expose machine to freezing temperatures.
- **DO NOT** place steam unit on a wet surface or operate near a water source.
- **DO NOT** place unit on towel, blanket or other insulating pad.
- **NEVER** operate without the safety cap screwed tightly in place.
- **NEVER** unscrew or attempt to remove the tank/pressure safety cap while the unit is in use.
- **NEVER** use this machine to clean electronic devices.
- **NEVER** leave brush in one spot on any surface for more than a few seconds – prolonged exposure to heat and moisture may damage surfaces.
- **ALWAYS** unplug unit when not in use.
- **ALWAYS** turn unit off before unplugging from outlets.
- **ALWAYS** turn unit off and unplug power cord before filling water tank.
- **ALWAYS** allow 30 minutes for the unit to cool before removing the tank cap to refill the unit.
- **ALWAYS** allow the unit to completely cool before storing.

Caution

If there is a lot of steam emission from the fill cap handle, please switch off and unplug the unit at once. The SteamMachine should be checked and repaired by service agent.

Hazard



HOT STEAM AND PARTS.
May cause injury, including skin burns or property damage. Temperatures exceed 212° F (100° C).



FIRE.
May cause severe injury and/or property damage.



ELECTRICAL SHOCK.
May cause severe injury.

Safeguards and Warnings

Cleaning Fabrics:

A number of materials and fabrics are NOT suitable to be cleaned by steam:

DO NOT use on leather, wax polished furniture or floors, synthetic fabrics, velvet, Dralon® or other delicate, steam sensitive materials.

When steaming any surface for the first time, it is recommended that you consult the manufacture's guidelines for cleaning.

Cleaning Glass/Mirrors:

Thermal shock can also shatter glass. Do not apply steam to glass surfaces that are cooler than 32°F.

Electrical Connections

- DO use a three-pronged extension cord that is at least 18 gauge.
- DO only plug the cord or extension cord into a three-pronged grounded power supply.
- To prevent electrical shock, NEVER immerse the SteamMachine into water or other liquids

Prop 65

⚠ WARNING:

Exposure to this product can expose you to chemicals including Lead and Phthalates, which are known to the State of California to cause cancer and birth defects or other reproductive harm. For more information go to www.P65Warnings.ca.gov

Grounding Instructions

The product must be grounded. In the event of an electrical short circuit, grounding reduces the risk of electrical shock by providing an escape wire for the electric current. This product is equipped with a cord having a grounding wire with an appropriate grounding plug. The plug must be plugged into an appropriate outlet that is properly installed and grounded in accordance with all local codes and ordinances.

⚠ Warning

DANGER - Improper use of the grounding plug can result in a risk of electric shock.

Extension Cords

Use only a three-pronged extension cord that has a three-blade grounding plug and a three-slot receptacle that will accept the plug on the product. Make sure your extension cord is UL/ETL/CSA listed and is in good condition. When using an extension cord, be sure to use one heavy enough for the current. For lengths less than 18 feet, use a No. 16 AWG or heavier; for lengths more than 18 feet but less than 25 feet, use No. 14 AWG; for lengths more than 25 feet, use No. 12 AWG or heavier. If in doubt, use a heavier gauge. An undersized cord will cause a drop in line voltage resulting in loss of power and overheating which can damage the unit or extension cord.

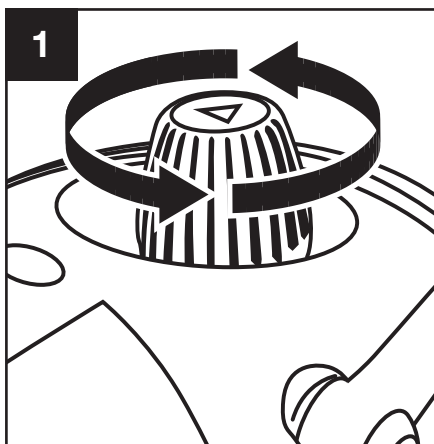
Storage

Make sure unit is clean and dry before storing and always follow cool down instructions. Store in a dry location. To prevent damage, the electrical cord should not be crimped during storage.

Quick Start Reference Guide

This is only a quick reference. Read the entire instruction manual prior to using the product.

⚠ Read all warnings and safety instructions in the instruction manual before use.

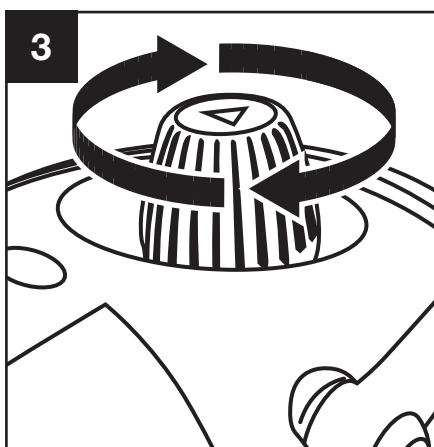


1
Unscrew the safety cap by turning counter clockwise.

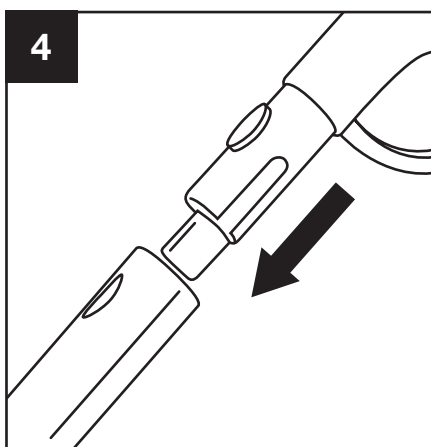


2
Fill the tank using the funnel and measuring cup provided. The tank holds up to 40 oz. /1200ml of water. DO NOT overfill the water tank or damage to the product may occur.

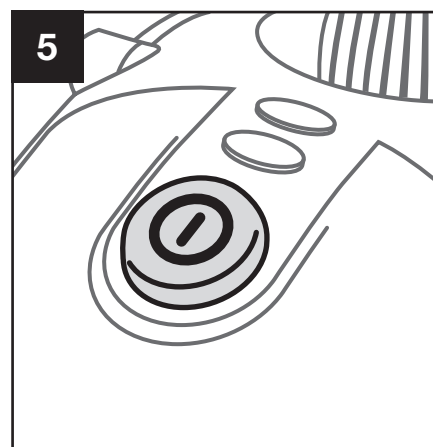
NOTE: Only use distilled water, mineral build-up from tap water can shorten the life of the steamer.



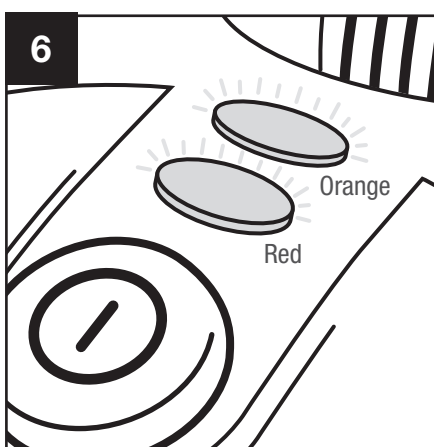
3
Once full replace the safety cap by turning clockwise, fasten tightly.



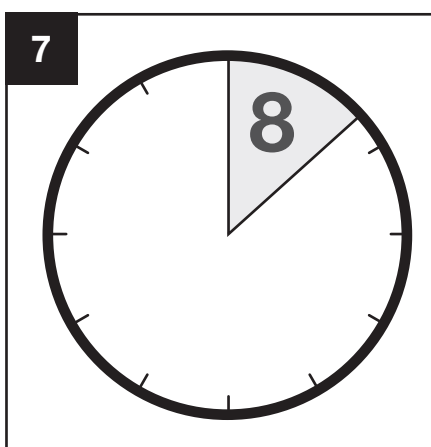
4
Attach the necessary cleaning adaptor and accessory to the steam gun nozzle.



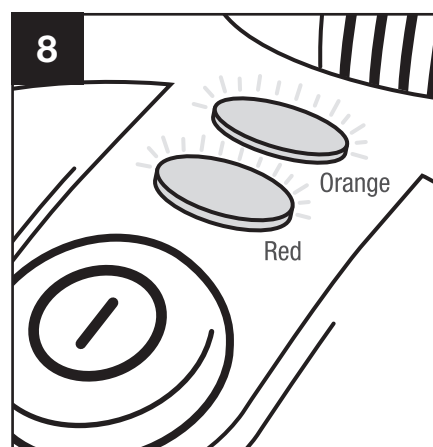
5
Plug the machine into the outlet and press the ON/OFF button to ON.



6
The Red power light and Orange steam light, indicating that the machine is building steam, should both illuminate.



7
Allow approximately 8 minutes for the machine to build up steam pressure.



8
Once the orange steam pressure light turns off, the machine is ready to use.

Water Usage and Steam Time Guidelines

Amount of Water	Duration of Steam
13 oz. / 400ml	Approximately 15 min.
26 oz. / 800ml	Approximately 30 min.
40 oz. / 1200ml	Approximately 45 min.

Refilling the Water Tank

If the unit has been in use, ALWAYS follow these safety precautions before removing the water tank safety cap:

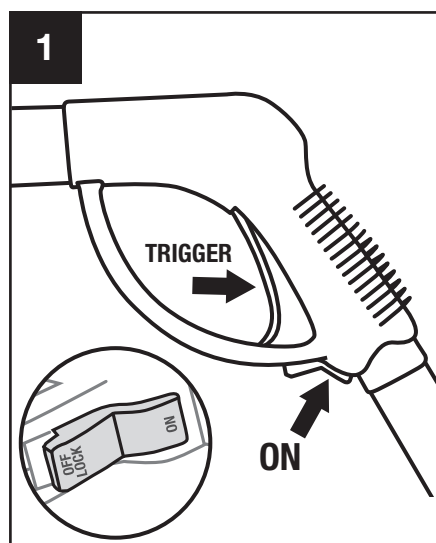
- Switch the unit to the OFF position and unplug the unit. Allow at least 30 minutes for the unit to cool.
- Release all the steam pressure in the unit by pressing the steam nozzle flow trigger (the red safety switch must be in the ON position).

⚠ WARNING: Failure to follow these precautions may result in burns from escaping steam when the water tank safety cap is removed.

NOTE: Safety Cap will rotate but will not unscrew until unit is cool and pressure is released.

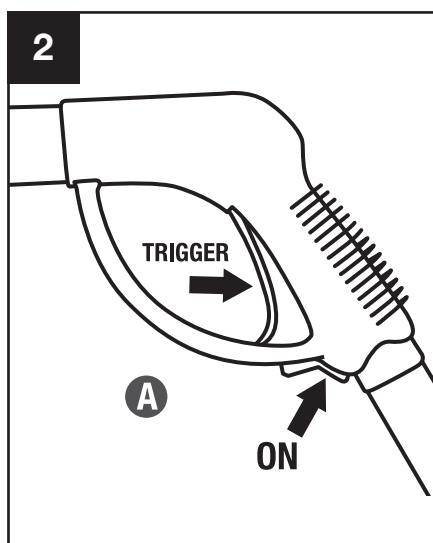
⚠ CAUTION: For household use only. Do not overfill reservoir as it may cause damage to the unit. Allow a 30 minute cool down period before refilling the reservoir.

Steam Gun Operation



The steam output is controlled through the steam gun. The gun has both a steam trigger and red safety switch.

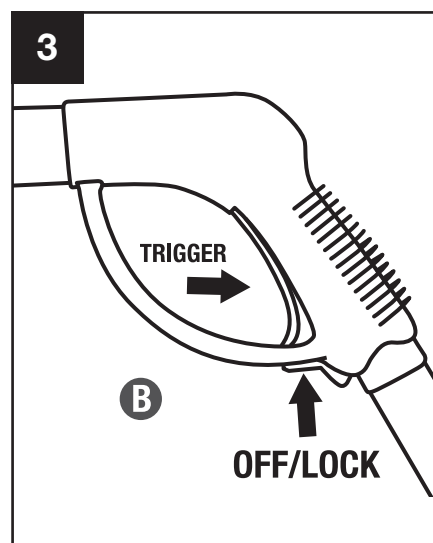
For intermittent steam generation press the red safety switch to the ON position. Pull the trigger to release steam.



For continuous steam generation:

(A) Start by pressing the red safety switch to the ON position, pull the trigger and then press the safety switch to LOCK. The trigger is now locked into continuous steam mode.

(B) To unlock from continuous steam mode, release the trigger and press the red safety switch back to the ON position.



Rebuilding Steam Pressure While in Use

⚠ WARNING:

Burns can occur from hot water or steam.

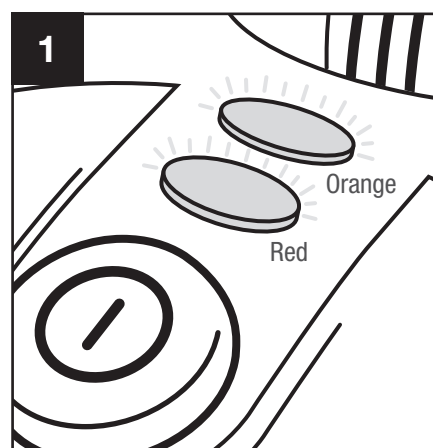
DO NOT touch the steam nozzle or attempt to connect accessories while unit is in use.

NEVER direct the steam at a person, pet or electrical device.



⚠ HAZARD: HOT STEAM AND PARTS.

May cause injury, including skin burns or property damage. Temperatures exceed 212° F (100° C).

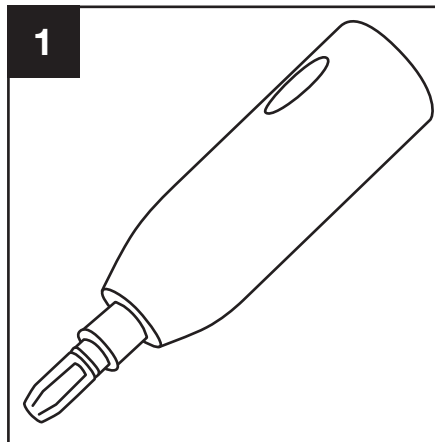


If the orange steam light comes on during use, it indicates the machine needs to re-build pressure in the tank. The machine may still be used while pressure rebuilds.

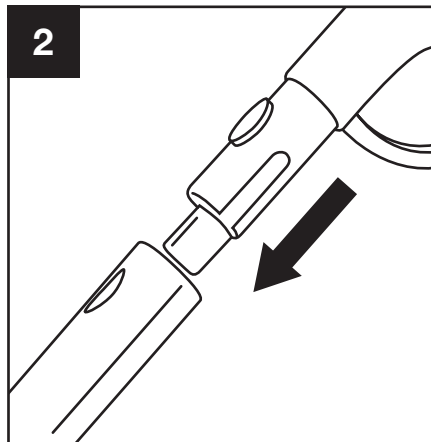
Assembling and Attaching Accessories

Attaching the Squeegee, Jet Nozzle and Utility Brushes to the Steam Nozzle

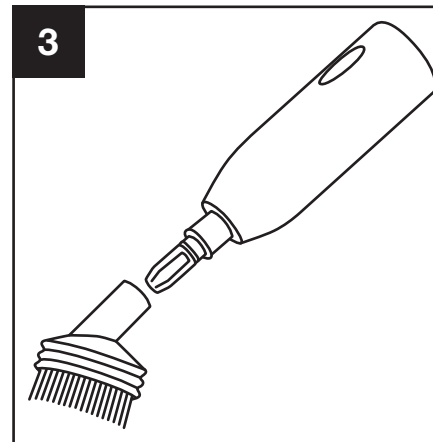
NOTE: The straight adaptor is used to attach all accessories to the steam gun with the exception of the Large Brush. **ALWAYS** attach accessories before turning the unit on.



Use the straight adaptor to attach accessories to the steam gun nozzle.



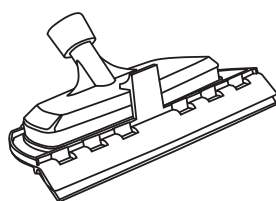
Slide the straight adaptor over the steam gun nozzle, align the oval hole with the lock/release button and push the button to allow the attachment to slide into place.



Slide the accessory onto the straight adaptor.

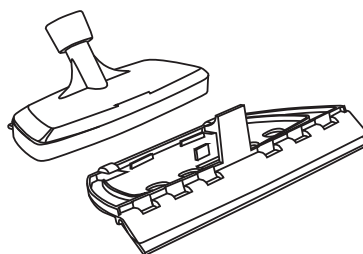
Cleaning with the Attachments

Squeegee



The **squeegee** is an excellent tool for cleaning bathroom shower doors and walls, fireplace doors and windows. Do not use on glass when temperature is below 32° F (0° C). Glass may crack in cold temperatures.

Fabric Steamer



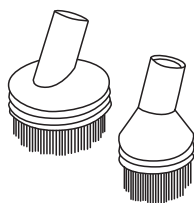
Remove the rubber lip and use for garment steaming and for killing dust mites in mattresses.

Jet Nozzle



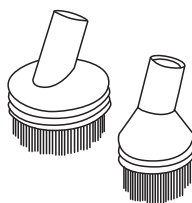
The **jet nozzle** can be used to disinfect bathroom and kitchen fixtures and hard to reach places.

Stiff Nylon Brushes



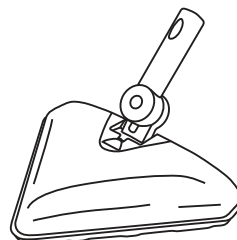
The **nylon brushes** can be used in hard to reach areas around sink and bathroom faucets.

Brass Brushes



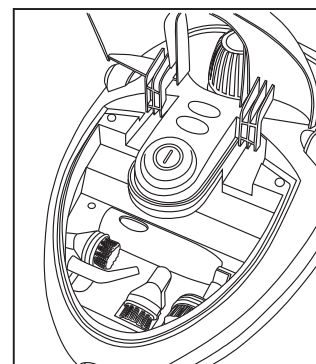
The **brass brushes** can be used to remove grease and grime found on grills and ovens.

Triangle Steam Mop



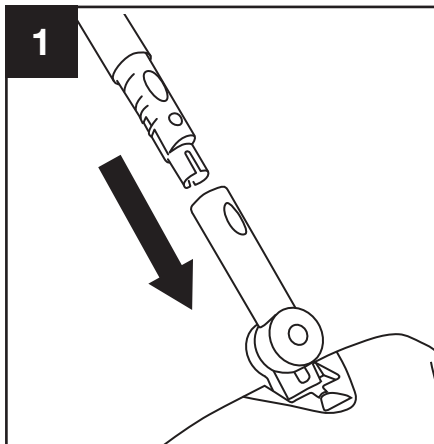
The **triangular steam mop** and cleaning pad can be used to clean ceramic tile, vinyl, linoleum and sealed hardwood floors.

Attachment Storage

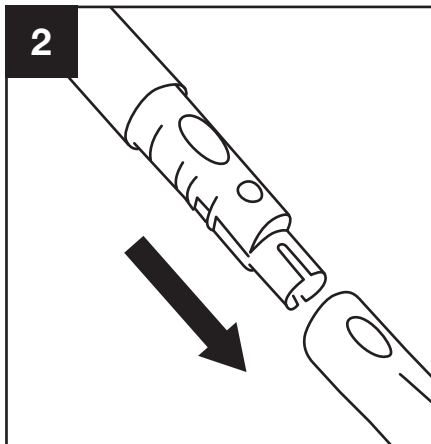


Assembling and Attaching the Steam Mop

ALWAYS attach accessories before turning the unit on.



Press down on the lock/release button on the triangle steam mop and slide the extension wand onto the steam mop adapter. Press firmly until button snaps into hole.

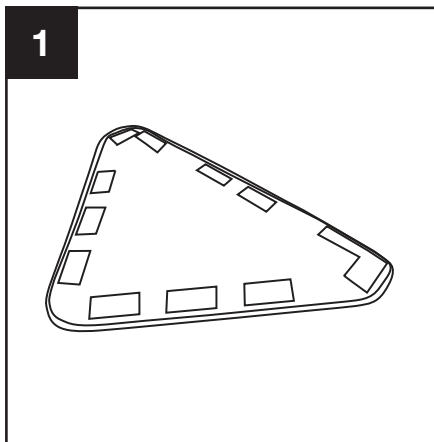


Press down on the lock/release button on extension and slide second extension onto first extension. Press firmly until button snaps into hole.

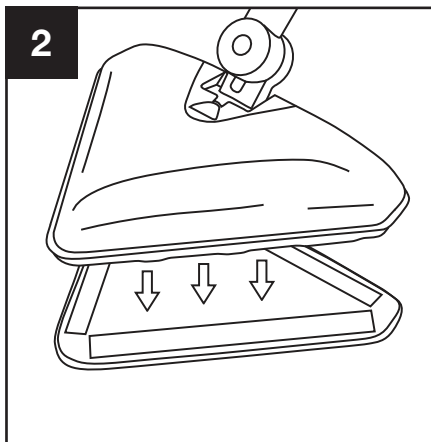
Cleaning Pad

Never remove the cleaning pad while the machine is in operation or warm to the touch.

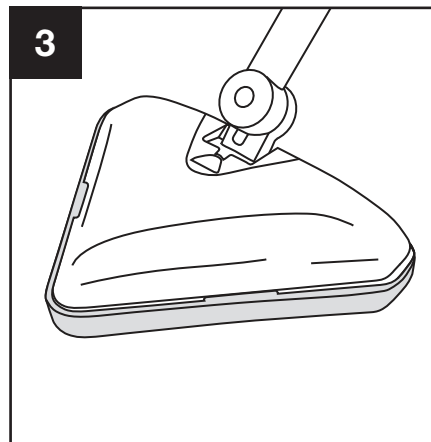
NOTE: To avoid over-saturating the cleaning pad after the SteamMachine has rested for a period of time, you may want expel built-up water condensation from inside the hose. Remove the cleaning pad, place triangle mop head onto a towel and trigger the gun for a few seconds. Once the water is discharged, attach cleaning pad and steam as you normally would.



Lay cleaning pad on flat surface with cleaning side down and hook & loop attachments facing up. The included blue microfiber pad works best for cleaning hard floor surfaces.



Place triangle steam mop on top of the cleaning pad. Press steam mop down until attached. Your steam mop is now ready to clean hard floor surfaces.



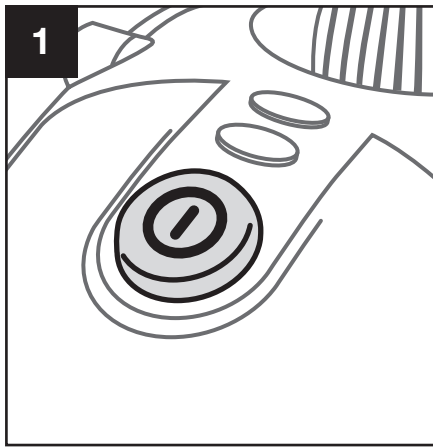
The optional carpet glide attachment works with the included white pad. The carpet glide can be snapped onto the steam mop and is great for freshening carpets and killing dust mites.

The triangle steam mop and cleaning pad are perfect for use on these hard floor surfaces:

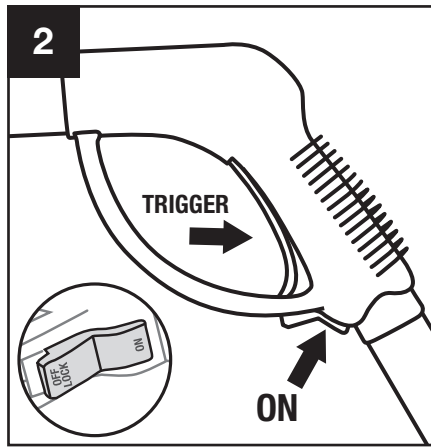
- Stained concrete
- Granite
- Sealed hard wood
- Linoleum
- Ceramic tile
- Vinyl
- Marble

WARNING: Do not use on unsealed hard wood, laminate flooring or unglazed ceramic surfaces. Surfaces that are not properly sealed may be warped or damaged by exposure to heat and moisture. Always test a small area before beginning.

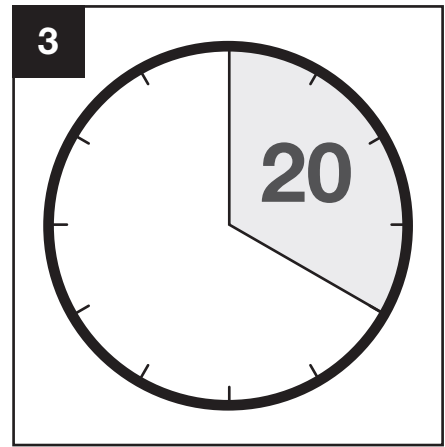
Cleaning and Storage



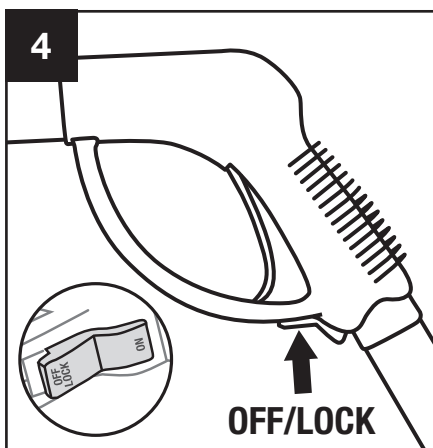
1 Set the ON/OFF switch to off and unplug the power cord from the electrical outlet.



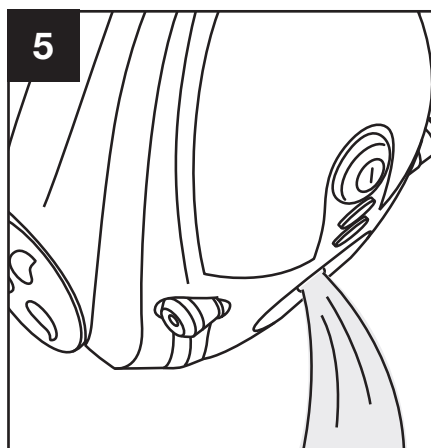
2 Release all remaining steam from tank by pressing the steam nozzle flow trigger (the Red safety switch must be in the ON position).



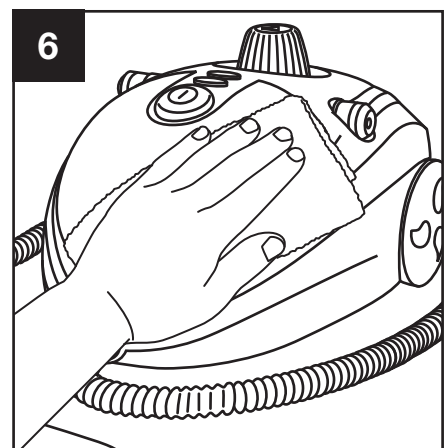
3 Allow the unit to completely cool (at least 20 minutes).



4 Lock the steam nozzle flow trigger into the off position and remove all accessories from the trigger.



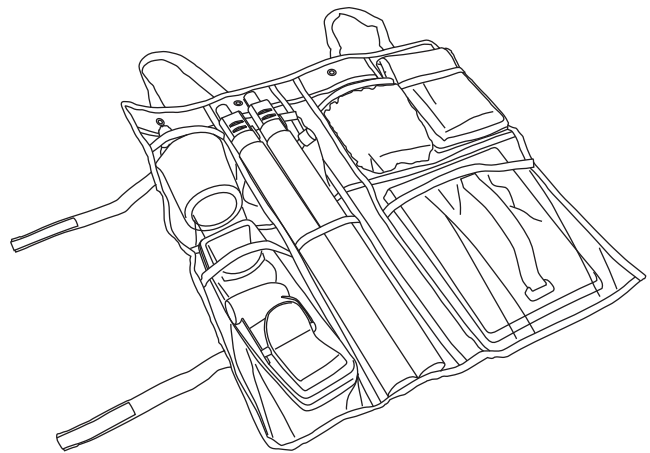
5 Drain any remaining water from the tank. NEVER store the unit with water in the tank.



6 Wipe the unit with a cloth and store in a cool, dry location.

Storage Bag

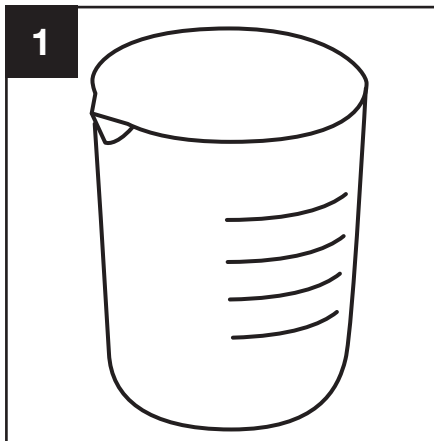
Store your SteamMachine nozzles, brushes and other tools in this stylishly compacted storage bag. This bag is made with a heavy, nylon canvas material that will allow you to easily manage all of your necessary SteamMachine accessories. The bag comes with four grommets holes along the top edge and four hooks that allow you to hang the bag on a door, conveniently out of the way. The two black, hook & loop straps on the side allow the bag to be folded in half and held shut. There are also two handles at the top so that you can comfortably carry the bag from place to place.



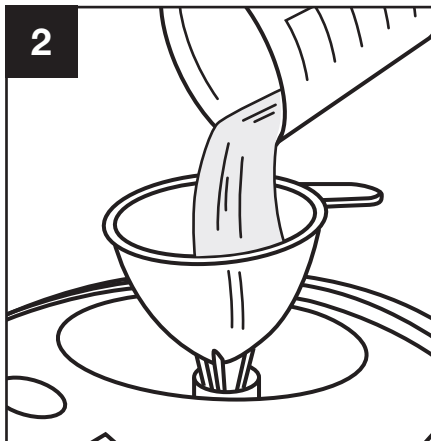
Mineral Build-Up

If your municipal water supply contains high mineral content it is **HIGHLY RECOMMENDED** to use distilled or de-mineralized water when using your SteamMachine. If you are unable to use distilled water it is recommended to employ the following cleaning procedure prior to storing the unit.

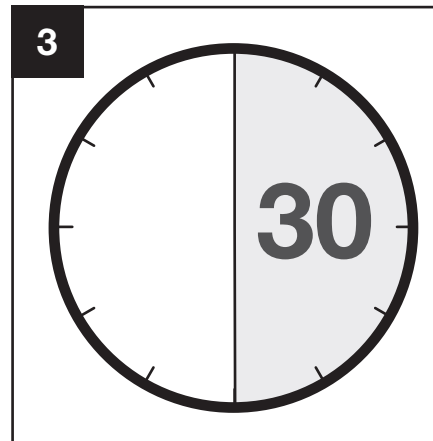
WARNING: NEVER clean the water tank while the unit is plugged into an outlet.



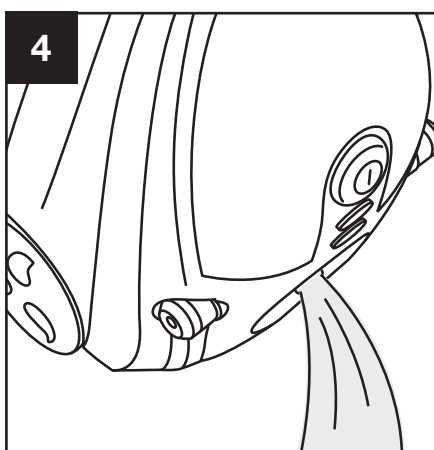
1 Use a measuring cup to mix 8 oz. of vinegar and 8 oz of water.



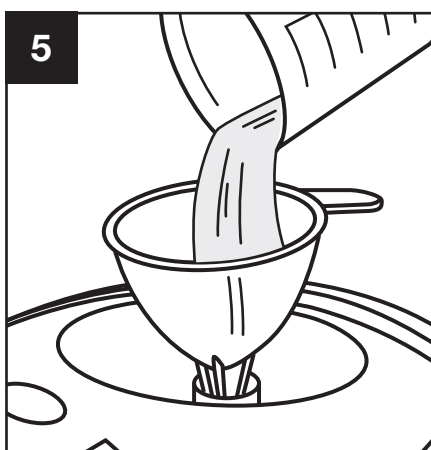
2 Use the funnel to pour the solution into the water tank.



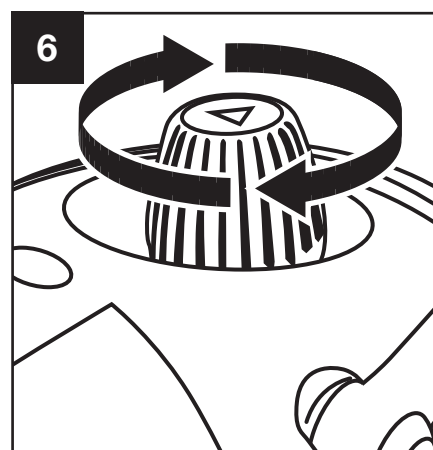
3 Allow to stand for 30 minutes.



4 Drain the water-vinegar solution from the tank.



5 Rinse water tank with fresh water and repeat steps 1 through 5 until vinegar odor dissipates.

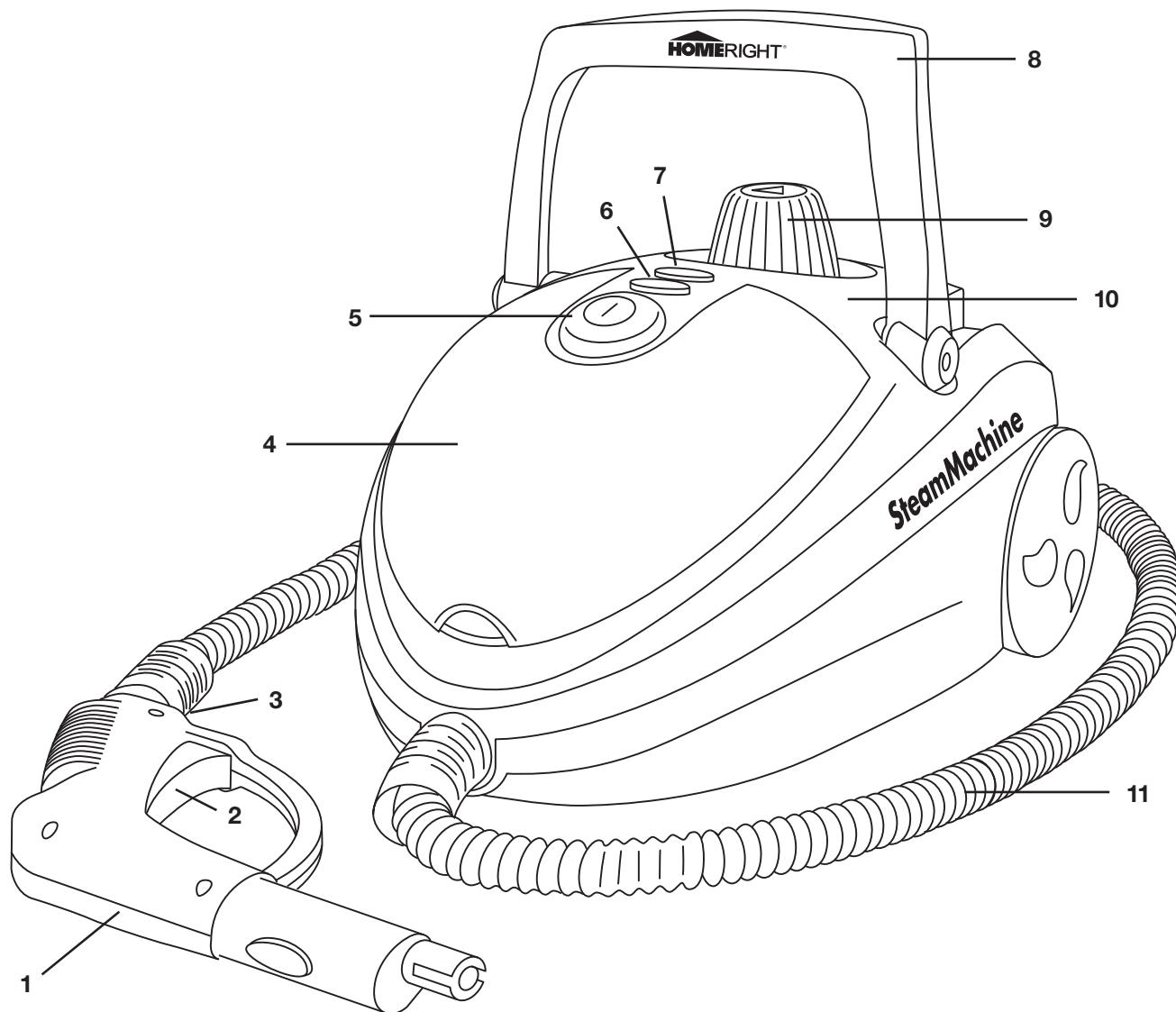


6 Replace the water tank safety cap and store in a cool, dry location.

Troubleshooting

PROBLEM	CAUSE	REMEDY
<p>1. Unit fails to heat up. Red Power light DOES NOT illuminate when ON/OFF switch is set to ON.</p>	<p>A. Unit is not plugged in. B. Loose electrical connection. C. Unit is damaged or in need of repair.</p>	<p>A. Check wall outlet. B. Discontinue use and call Customer Service. C. Discontinue use and call Customer Service.</p>
<p>2. Unit fails to heat up. Red Power light DOES illuminate when ON/OFF switch is on.</p>	<p>A. Water tank is empty. B. Mineral build-up in unit. C. Unit is damaged or in need of repair.</p>	<p>A. Refer to Filling Water Tank procedure on Page 4. B. Refer to Mineral Build-up section on page 10 for cleaning procedure. C. Discontinue use and call Customer Service.</p>
<p>3. Steam output is weak or intermittent</p>	<p>A. Water level in tank is running low. B. Steam hose may be kinked internally. C. Mineral build-up in unit.</p>	<p>A. Refer to Filling Water Tank procedure on Page 4. B. Remove kinks from steam hose. Rotating the steam gun around may help remove kinks. C. Refer to Mineral Build-up section on page 10 for cleaning procedure.</p>
<p>4. Excessive amounts of water in steam</p> <p>NOTE: The SteamMachine produces a great deal of steam. The steam may condense as water or water droplets in the steam hose and tools and nozzle, which are then expelled when used after a period of cooling. This is normal and not a cause for concern.</p>	<p>A. Water condensation in steam hose. B. Water tank has been over filled. C. Unit has not heated to full operating temperature.</p>	<p>A. Point nozzle towards sink, and shake while pressing steam trigger. B. Filling the water tank with more than 40 oz/ 1200 ml of water interferes with steam production resulting in water condensation. Turn unit off, let it cool and drain some water out of tank. C. Wait until Orange steam pressure indication light has turned off.</p>
<p>5. Accessories do not stay firmly connected to main nozzle</p>	<p>A. Accessories are not properly installed.</p>	<p>A. Refer to accessory installation on pages 7-9.</p>
<p>6. Floor surfaces appear to have streaks after cleaning</p>	<p>A. Cleaning pad is dirty. B. Hard water residue on the floor.</p>	<p>A. Replace the cleaning pad with a clean one. B. Switch to distilled or de-mineralized water.</p>

Features



C900134 STEAMMACHINE ELITE

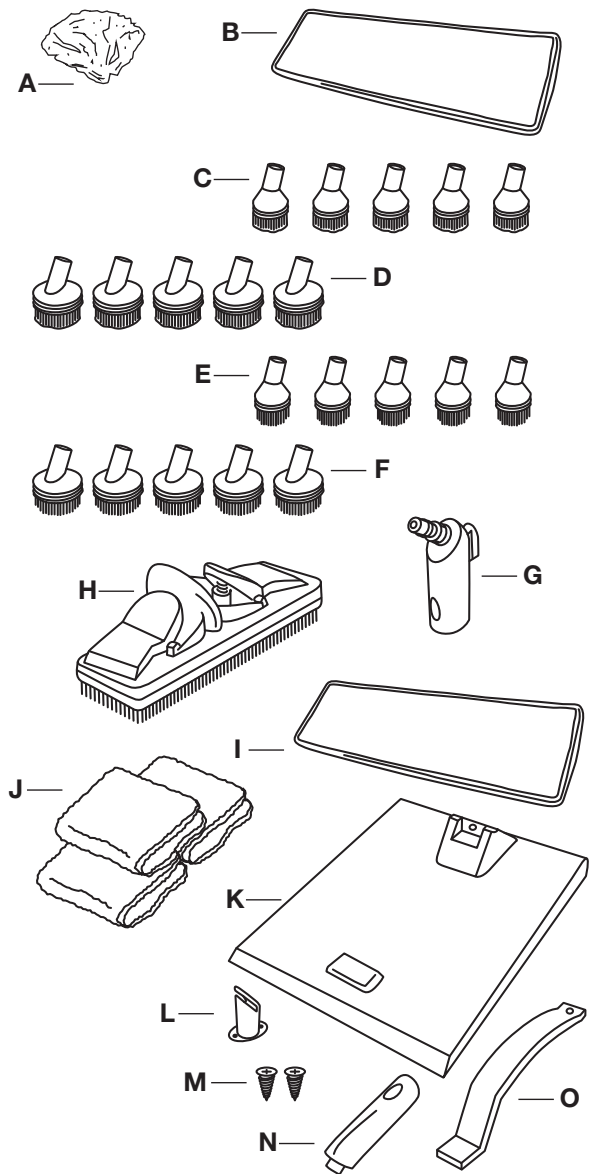
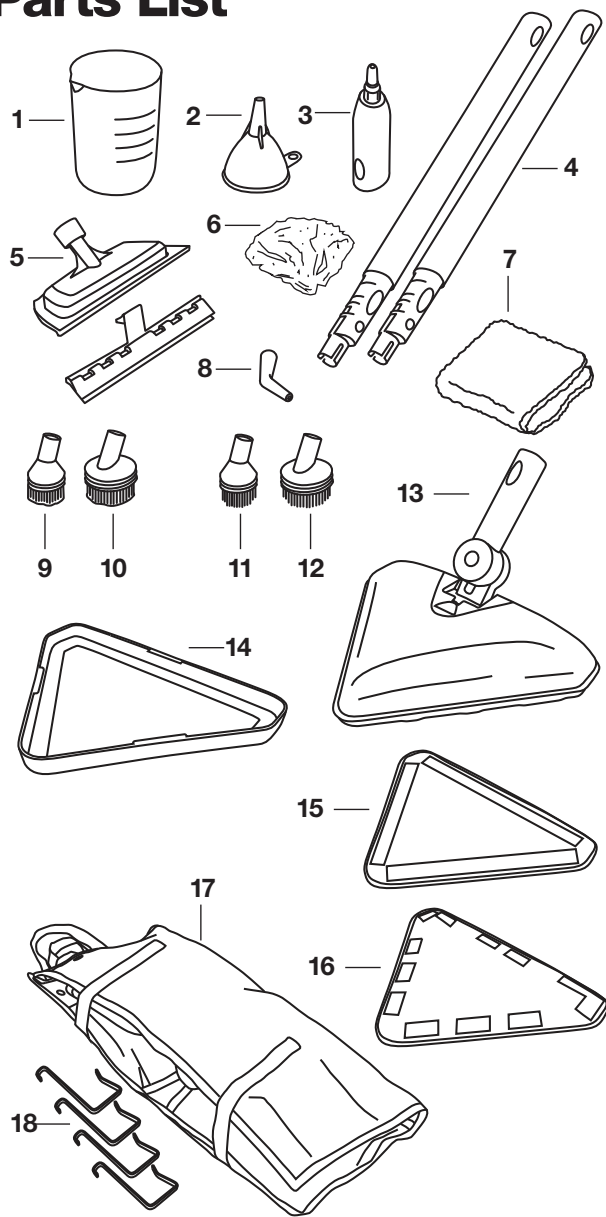
Item	Description
1	Steam Gun
2	Steam Flow Trigger
3	Steam Lock Switch
4	Accessory storage area (internal)
5	ON/OFF Button
6	Red Operating Light

Item	Description
7	Orange Steam Generation Light
8	Carrying Handle
9	Water Tank Cap
10	Water Tank (internal)
11	Steam Hose

If you cannot obtain parts and accessories at your local retail dealer, call or visit homeright.com

Wagner Spray Tech Corporation
 1770 Fernbrook Lane
 Plymouth, MN 55447
 United States of America
 Phone: 763-780-5115 • 1-800-264-5442
 7:30 a.m. to 4:30 p.m. CST.

Parts List



INCLUDED ACCESSORIES

Item	Customer Service Part No.	Description
1	C817558	Measuring Cup
2	C817557	Funnel
3	C817519	Straight Adaptor
4	C817552	Extension Wands (2)
5	C817522	Squeegee and Fabric Steamer
6	C817755	Fabric Bonnet
7	C817556	Microfiber Cleaning Towel
8	C817524	Jet Nozzle
9	C817554	Small Brass Utility Brush
10	C817756	Large Brass Utility Brush
11	C817725	Small Nylon Utility Brush
12	C817555	Large Nylon Utility Brush
13	C818146	Triangular Mop Head
14	C818147	Triangular Carpet Glide
15	C818148	Triangular Microfiber Pad
16	C818331	Triangular Poly Cotton Pad
17	C818090	Storage Bag
18	C818091	Storage Bag Hooks

ADDITIONAL ACCESSORIES

Item	Customer Service Part No.	Description
A	C817755	Fabric Bonnet for Fabric Steamer – 1 Pack
B	C800938.M	Chenille Mop Pad – 1 Pack
C	C800945.M	Small Brass Utility Brush – 5 Pack
D	C800946.M	Large Brass Utility Brush – 5 Pack
E	C800947.M	Small Nylon Utility Brush – 5 Pack
F	C800948.M	Large Nylon Utility Brush – 5 Pack
G	C817520	Angled Adaptor for Large Brush
H	C817523	Large Cleaning Brush
I	C800937.M	Microfiber Pad for Large Cleaning Brush
J	C800944.M	Microfiber Cleaning Towel – 3 Pack
K	C800893	Wallpaper Steam Plate
L		Diffuser for Steam Plate
M		Screws for Steam Plate Diffuser (2)
N		Attachment Adaptor for Steam Plate
O		Steam Plate Handle

1



SteamMachine Elite

Manuel d'instruction

⚠ AVERTISSEMENT

POUR RÉDUIRE LE RISQUE DE BLESSURES,
L'UTILISATEUR DOIT LIRE LE MANUEL D'INSTRUCTION.

POUR USAGE DOMESTIQUE SEULEMENT.

GARDER LES ENFANTS HORS DE PORTÉE
DE LA ZONE DE TRAVAIL.

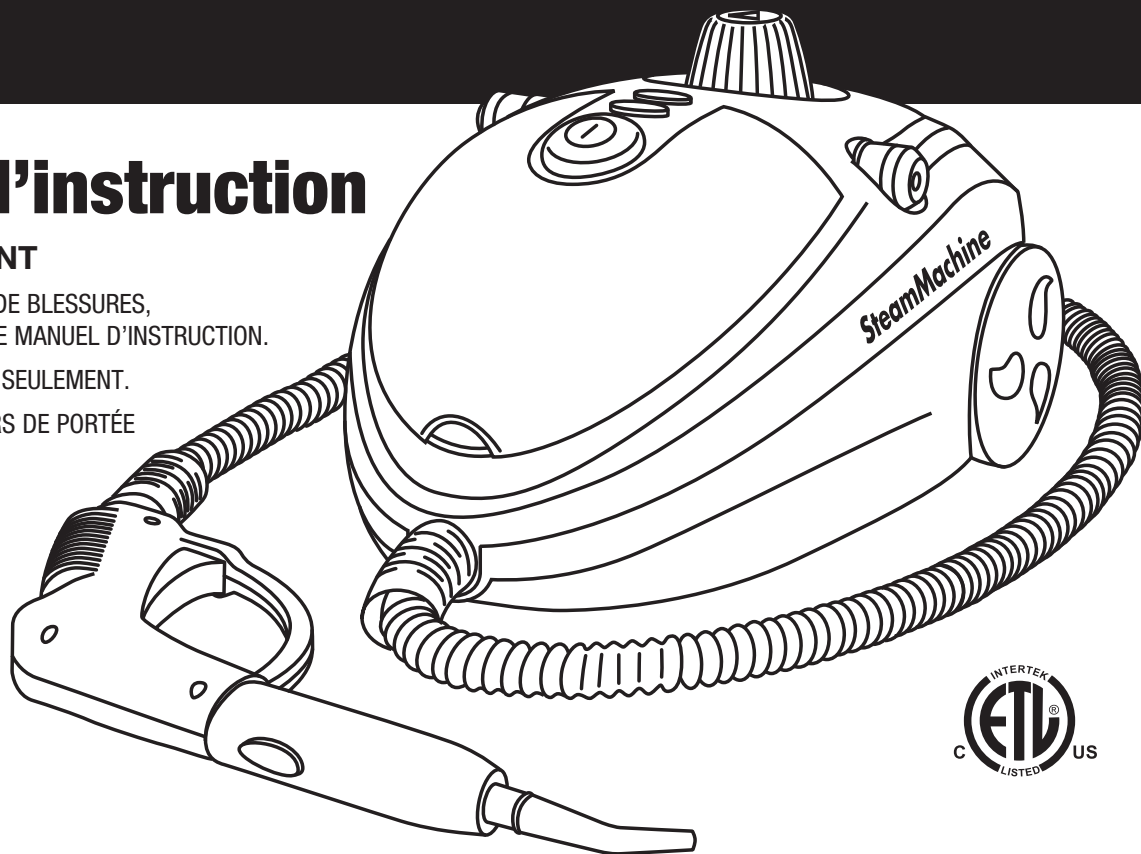


Table des matières

Mesures de sécurité importantes	16
Guide de référence pour démarrage rapide	18
Remplissage du réservoir d'eau	19
Utilisation du pistolet à vapeur	20
Assemblage et fixation des accessoires	21
Nettoyage et entreposage	23
Dépannage	25
Liste des pièces	26-27

Service à la clientèle

1 800-264-5442 ou 763-780-5115,
de 7:30 h à 16.5 h, heure normale
du Centre des États-Unis.

English (page 1)

Français (page 15)

Español (página 29)

Fabriqué en Chine

**Enregistrez en ligne aujourd'hui
Pour lancer votre garantie de deux ans**

Attaquez-vous en ligne chez www.homeright.com. Voyez secondaire pour des détails de garantie.

Mesures de sécurité et avertissements

HomeRight ne pourra être tenue responsable des pertes ou des dommages causés par l'utilisation de ce produit d'une manière qui n'est pas précisément mentionnée dans ce manuel. L'utilisateur assume tous les risques associés à une utilisation non précisée dans ce document. Avant d'utiliser ce produit, l'utilisateur doit évaluer et déterminer s'il convient à l'application prévue. L'utilisateur assume tous les risques associés à une telle utilisation.

Lire et suivre toutes les mesures de sécurité

La machine à vapeur SteamMachine est sécuritaire lorsqu'elle est utilisée correctement mais elle peut être dangereuse si elle est mal utilisée. Il est de la responsabilité de l'utilisateur de lire et comprendre toutes les instructions, les MESURES DE SÉCURITÉ IMPORTANTES et les précautions de sécurité avant de mettre en marche et d'utiliser correctement l'appareil. Ne pas faire ce qui précède pourrait entraîner des dommages au produit, des blessures personnelles ou le décès. L'utilisateur assume tous les risques associés à une utilisation non appropriée.

NE PAS essayer de réparer (ou démonter) l'appareil soi-même. Les réparations doivent être effectuées par un technicien qualifié et qui connaît cet appareil, ou l'appareil doit être retourné à HomeRight^{MD} (voir la garantie). Cet appareil doit être utilisé uniquement avec les pièces autorisées. **L'utilisateur assume tous les risques et responsabilités lorsqu'il utilise l'appareil avec des pièces qui ne respectent pas les spécifications du fabricant.**

Avertissements

- **NE PAS** utiliser l'appareil s'il n'y a pas d'eau dans le réservoir.
- **NE PAS** remplir excessivement le réservoir. L'appareil peut contenir un maximum de 120 ml (4 oz) d'eau. Un remplissage excessif du réservoir d'eau peut causer des dommages à la machine et blesser l'utilisateur.
- **NE PAS** remplir le réservoir d'eau avec un autre liquide que de l'eau. D'autres agents de nettoyage pourraient endommager l'appareil ou causer des blessures. L'eau distillée ou déminéralisée est **FORTEMENT RECOMMANDÉE** afin de réduire l'accumulation de dépôts minéraux.
- **NE PAS** faire fonctionner l'appareil pendant plus d'une heure à la fois.
- **NE PAS** laisser la machine fonctionner sans surveillance.
- **NE PAS** envoyer de la vapeur vers des personnes, des animaux ou des appareils électriques.
- **NE PAS** toucher le gicleur principal ou essayer de connecter des accessoires pendant que l'appareil est en marche.
- **NE PAS** essayer d'utiliser la plaque à vapeur comprise avec cet appareil comme dispositif de nettoyage. La plaque à vapeur est conçue pour décoller le papier peint uniquement.
- **NE PAS** toucher le bas de la tête de brosse ou essayer de connecter un tampon de nettoyage pendant que l'appareil est en marche.
- **NE PAS** retourner la machine ou l'incliner de plus de 45° lorsqu'elle est en marche ou émet encore de la vapeur.
- **NE PAS** utiliser si le cordon d'alimentation est endommagé; s'il est endommagé, il doit être réparé par un technicien qualifié.
- **NE PAS** tirer ou transporter l'appareil SteamMachine par son cordon d'alimentation.
- **NE PAS** débrancher en tirant sur le cordon d'alimentation. Tirer sur le connecteur, pas le cordon.
- **NE PAS** exposer la machine à des températures inférieures à 0 °C.

- **NE PAS** mettre l'appareil à vapeur sur une surface humide ou l'utiliser à proximité d'une source d'eau.
- **NE PAS** mettre l'appareil sur une serviette, une couverture ou un tapis isolant.
- **NE JAMAIS** utiliser sans avoir bien resserré le couvercle de sécurité.
- **NE JAMAIS** dévisser ou essayer de retirer le réservoir ou le couvercle de sécurité haute pression pendant que l'appareil est en marche.
- **NE JAMAIS** utiliser la machine pour nettoyer des appareils électroniques.
- **NE JAMAIS** laisser la brosse au même endroit sur n'importe quelle surface pour plus de quelques secondes – une exposition prolongée à la chaleur et à l'humidité peut endommager les surfaces.
- **TOUJOURS** débrancher l'appareil lorsqu'il n'est pas utilisé.
- **TOUJOURS** éteindre l'appareil avant de le débrancher de la prise de courant.
- **TOUJOURS** éteindre l'appareil et débrancher le cordon d'alimentation avant de remplir le réservoir d'eau.
- **TOUJOURS** attendre 10 minutes pour laisser le temps à la machine de refroidir avant d'enlever le couvercle du réservoir pour remplir l'appareil.
- **TOUJOURS** attendre 30 minutes pour laisser le temps à l'appareil de refroidir avant d'enlever le couvercle du réservoir pour remplir l'appareil.
- **TOUJOURS** laisser l'appareil refroidir complètement avant de le ranger.

Avertissement

S'il y a beaucoup de vapeur Émission de la poignée de bouchon de remplissage, veuillez éteindre et débrancher l'unité à la fois. La machine à vapeur SteamMachine devrait être vérifiée et réparée par un agent gestionnaire.

Hazard



VAPORISATEUR À VAPEUR CHAUDE ET PIÈCES.
Peut causer des blessures, des brûlures et des dommages matériels. Température supérieure à 100 °C (212 °F)



INCENDIE.
Peut causer des blessures graves et des dommages matériels.



DÉCHARGE ÉLECTRIQUE.
Peut causer des blessures graves.

Mesures de sécurité et avertissements

Nettoyage des tissus :

Certains matériaux et tissus NE doivent PAS être nettoyés à la vapeur :

NE PAS utiliser sur le cuir, les meubles ou planchers cirés, les tissus synthétiques, le velours, le Dralon ou d'autres matériaux délicats et sensibles à la vapeur.

Avant de nettoyer une surface à la vapeur pour la première fois, nous vous recommandons de consulter les consignes du fabricant concernant le nettoyage.

Nettoyage du verre et des miroirs :

Le choc thermique peut également fendre le verre.

Ne pas nettoyer à la vapeur des surfaces de verre dont la température est inférieure à 0 °C.

Connexion électrique

- UTILISER uniquement une rallonge tripolaire de taille 18 ou supérieure.
- BRANCHER uniquement le cordon ou la rallonge dans un bloc d'alimentation à contact de mise à la terre.
- Pour prévenir les chocs électriques, NE JAMAIS immerger l'appareil SteamMachine dans l'eau ou autres liquides.

Proposition 65

⚠ AVERTISSEMENT:

Ce produit peut vous exposer à des agents chimiques, y compris Lead and Phthalates, identifiés par l'État de Californie comme pouvant causer le cancer et des malformations congénitales ou autres troubles de l'appareil reproducteur. Pour de plus amples informations, prière de consulter www.P65Warnings.ca.gov.

Instructions de mise à la terre

Ce produit doit être mis à la terre. Dans le cas d'un court-circuit électrique, la mise à la terre réduit les risques de choc électrique en fournissant un fil d'évacuation pour le courant électrique. Ce produit est équipé d'un cordon ayant un fil de mise à la terre doté d'un connecteur de mise à la terre adéquat. Le fil doit être branché dans une prise de courant ayant une mise à la terre adéquate, installée correctement et conforme à tous les codes en bâtiment de votre région.

⚠ Avertissement

DANGER - Une utilisation inadéquate du connecteur de mise à la terre peut entraîner des risques de choc électrique.

Rallonges

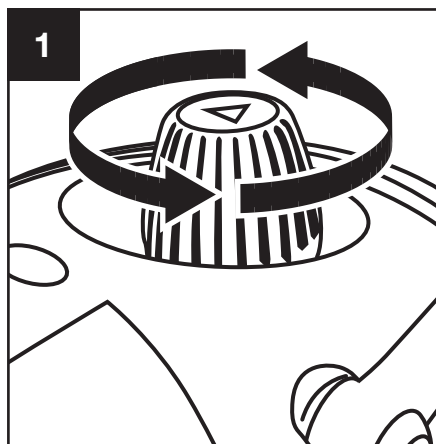
Utiliser une rallonge tripolaire comportant un connecteur à trois branches comportant une mise à la terre et une prise de courant à trois trous qui acceptera le connecteur du produit. S'assurer que la rallonge est approuvée par UL, ETL et CSA et est en bonne condition. Pour les longueurs inférieures à 5,5 m (18 pi), utiliser un fil de calibre de câble américain de 16 ou plus gros; pour les longueurs entre 5,5 m (18 pi) mais inférieures à 7,3 m (25 pi), utiliser un calibre fil de calibre américain de 14; pour les longueurs supérieures à 7,3 m (25 pi), utiliser le calibre de fil américain de 12 ou plus gros. En cas de doute, utiliser un fil de plus gros calibre. Un calibre inadéquat de cordon peut provoquer une baisse de la tension d'alimentation et causer une perte de puissance et une surchauffe pouvant endommager l'appareil ou la rallonge.

Entreposage

S'assurer que l'appareil est propre et sec avant de le ranger et toujours suivre les instructions de refroidissement. Le ranger dans un lieu sec. Pour prévenir les dommages, le cordon ne devrait pas être entortillé durant l'entreposage.

Guide de référence pour démarrage rapide

Ceci est seulement un guide de référence rapide. Lire le manuel d'instruction complet avant d'utiliser le produit. ⚠ Lire tous les avertissements et les instructions de sécurité du manuel d'instruction avant l'utilisation.

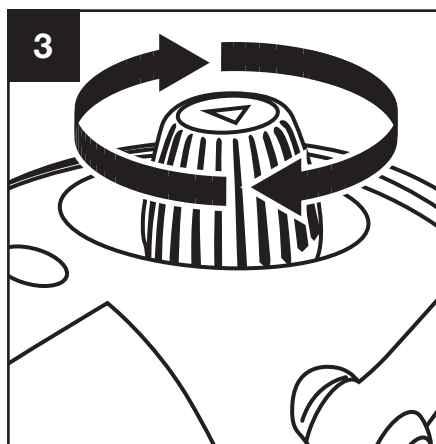


Dévisser le couvercle de sécurité en tournant dans le sens contraire des aiguilles d'une montre.

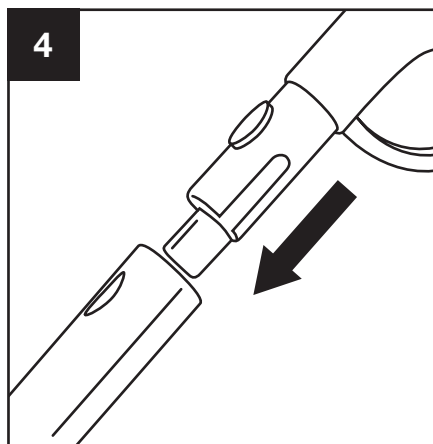


Remplir le réservoir à l'aide de l'entonnoir et de la tasse à mesurer fournis. Le réservoir peut contenir jusqu'à 1 200 ml d'eau (40 oz) d'eau. NE PAS remplir exagérément le réservoir d'eau parce que cela pourrait endommager le produit.

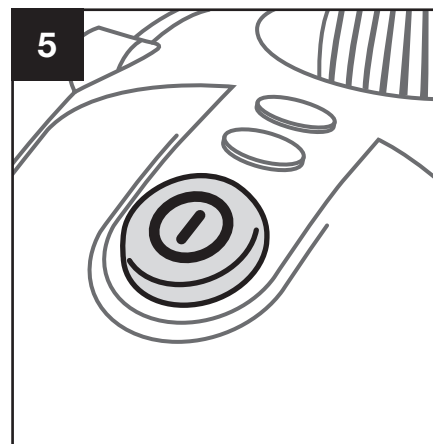
REMARQUE : Utiliser seulement de l'eau distillée; l'accumulation de minéraux provenant de l'eau du robinet peut diminuer la durée de vie du vaporisateur.



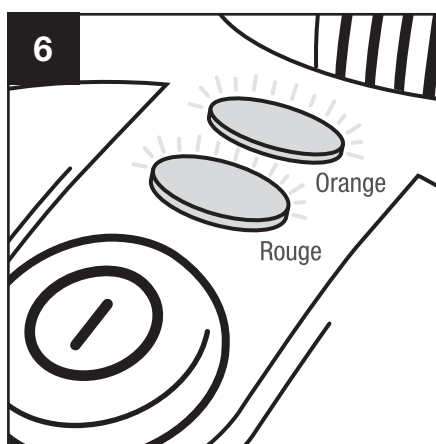
Une fois plein, remettre le couvercle de sécurité en place en vissant dans le sens des aiguilles d'une montre, en le serrant bien.



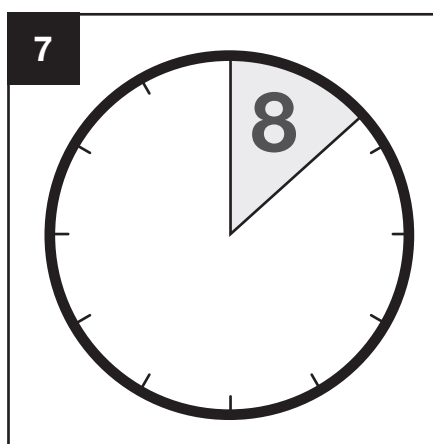
Attacher l'adaptateur de nettoyage et les accessoires nécessaires au pistolet à vapeur.



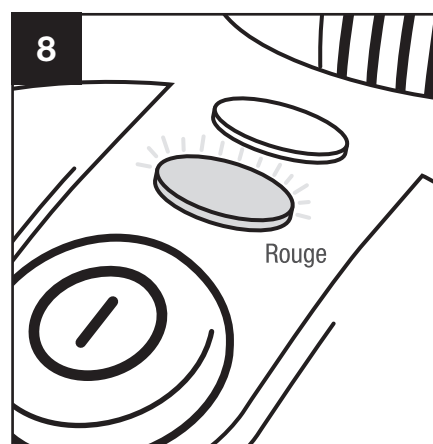
Brancher la machine à une prise de courant et appuyer sur le bouton ON.



Le voyant d'alimentation rouge et le voyant de vapeur orange s'allument, indiquant que la machine produit de la vapeur.



Laisser environ 8 minutes à la machine pour accumuler la pression de vapeur.



Une fois que le voyant de vapeur orange s'éteint, la machine est prête à être utilisée.

Consignes pour l'utilisation de l'eau et la durée de nettoyage à la vapeur

Quantité d'eau	Durée du jet de vapeur
400 ml / 13 oz	Environ 15 min
800 ml / 26 oz	Environ 30 with
1 200 ml / 40 oz	Environ 45 min

Remplissage supplémentaire du réservoir d'eau

Si l'appareil a été utilisé, TOUJOURS suivre ces précautions de sécurité avant de retirer le couvercle de sécurité du réservoir d'eau :

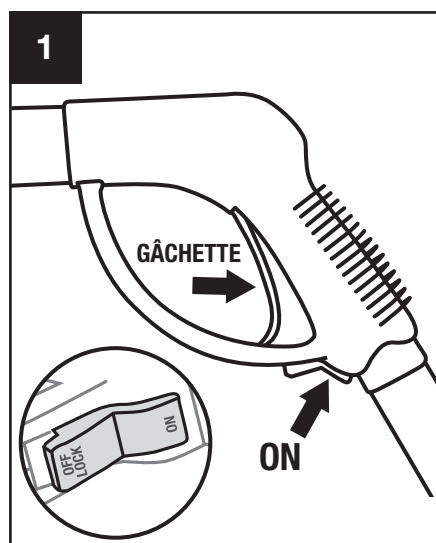
- Éteindre l'appareil en mettant à la position OFF et éteindre l'appareil. Attendre au moins 10 minutes pour que l'appareil puisse refroidir. Attendre au moins 30 minutes pour que l'appareil puisse refroidir.
- Laisser sortir toute la pression de vapeur de l'appareil en appuyant sur la gâchette du gicleur de vapeur (le commutateur rouge de sécurité doit être en position ON).

⚠ AVERTISSEMENT : ne pas suivre ces précautions pourrait entraîner des brûlures causées par la vapeur s'échappant lorsque le couvercle de sécurité du réservoir d'eau est retiré.

REMARQUE : Le couvercle de sécurité tournera, mais ne pourra pas être dévissé avant que l'appareil soit refroidi et que la pression soit relâchée.

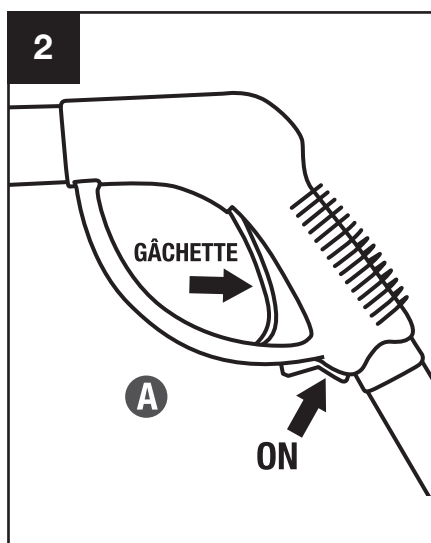
⚠ MISE EN GARDE: Pour usage domestique seulement. Ne surchargez pas le réservoir car elle peut causer des dommages à l'unité. Permettre une période avant de le remplir le réservoir de refroidissement de 30 minutes.

Utilisation du pistolet à vapeur



La sortie de vapeur est contrôlée par le pistolet à vapeur. Le pistolet comporte une gâchette de vapeur et un interrupteur de sûreté rouge.

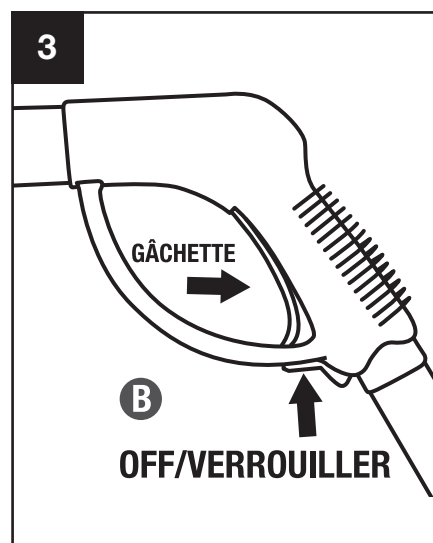
Pour produire de la vapeur de façon intermittente, placer l'interrupteur de sécurité rouge à la position ON. Tirer sur la gâchette pour libérer la vapeur.



Pour générer de la vapeur de façon continue :

(A) Commencer en appuyant sur le commutateur rouge de sécurité pour le mettre à la position ON. Tirer sur la gâchette et appuyer sur le commutateur de sécurité pour le mettre en position LOCK. La gâchette est maintenant bloquée pour rester en mode de vapeur continue.

(B) Pour la déverrouiller du mode de vapeur continue, relâcher la gâchette et appuyer sur le commutateur rouge de sécurité pour le remettre à la position ON.



Nouvelle accumulation de la pression de vapeur pendant l'utilisation

⚠ AVERTISSEMENT :

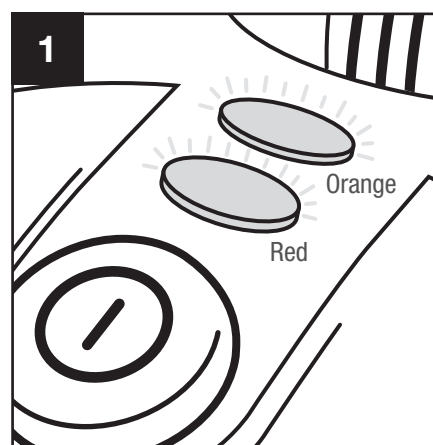
l'eau chaude et la vapeur peuvent causer des brûlures. **NE PAS** toucher au gicleur de vapeur ou essayer de connecter des accessoires lorsque l'appareil est en marche.

NE JAMAIS envoyer de la vapeur vers des gens, des animaux ou des appareils électriques.



⚠ RISQUE:

VAPORISATEUR À VAPEUR CHAUDE ET PIÈCES.
Peut causer des blessures, des brûlures et des dommages matériels. Température supérieure à 100 °C (212 °F)



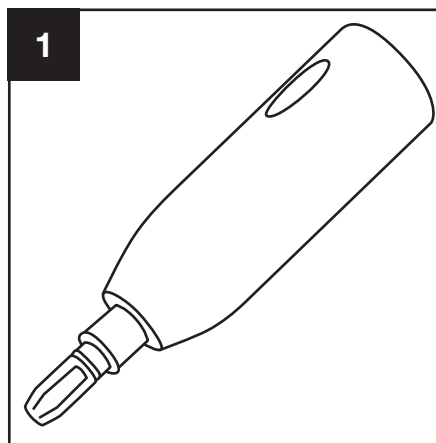
Si le voyant de vapeur orange s'allume durant l'utilisation, cela indique que la machine a besoin d'accumuler à nouveau de la pression dans le réservoir. La machine peut être utilisée pendant l'accumulation de pression.

Assemblage et fixation des accessoires

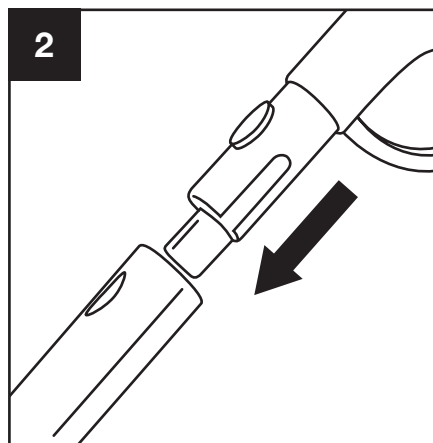
Fixer la raclette, le gicleur à jet et les brosses utilitaires au gicleur à vapeur

REMARQUE : l'adaptateur droit est utilisé pour attacher tous les accessoires au pistolet à vapeur, à l'exception de la grosse brosse.

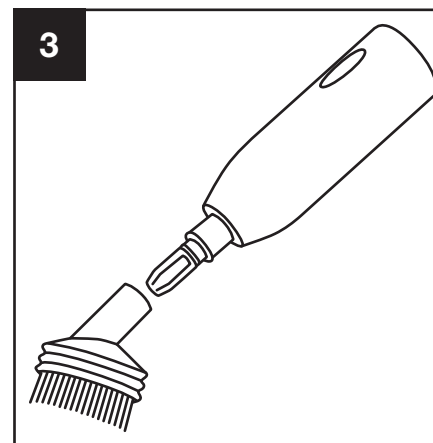
TOUJOURS fixer les accessoires avant d'allumer l'appareil.



Utiliser l'adaptateur droit pour attacher les accessoires au gicleur du pistolet à vapeur.



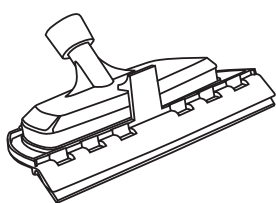
Glisser l'adaptateur droit par-dessus le gicleur du pistolet à vapeur, aligner le trou ovale avec le bouton verrouiller / déverrouiller et pousser le bouton pour permettre à l'accessoire de glisser en place.



Glisser l'accessoire sur l'adaptateur droit.

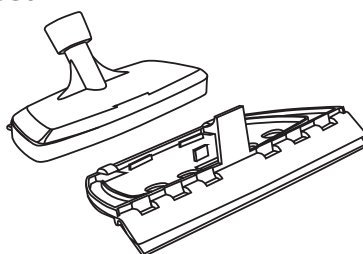
Nettoyage de l'appareil avec accessoires

Raclette



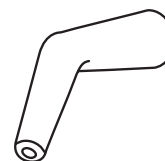
La **raclette** est un excellent outil pour nettoyer les portes et les murs de la douche, les portes de foyer et les fenêtres. Ne pas utiliser sur du verre lorsque la température est inférieure à 0 °C (32 °F). Le verre peut éclater lorsqu'il est soumis à des températures froides.

Vaporisateur à vapeur pour tissu



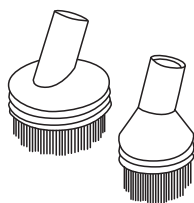
Retirer la languette de caoutchouc et l'utiliser pour passer les vêtements à la vapeur et éliminer les acariens présents dans les matelas.

Gicleur à jet



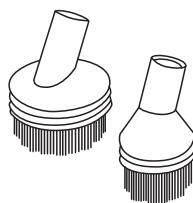
Le gicleur peut être utilisé pour désinfecter les appareils de la salle de bains et de la cuisine et les endroits difficiles à atteindre.

Brosses en nylon rigide



The nylon brushes can be used in hard to reach areas around sink and bathroom faucets.

Brosses en laiton



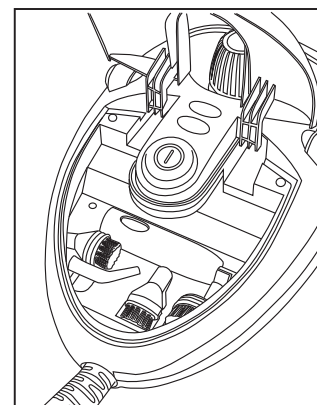
Les brosses en laiton peuvent être utilisés pour enlever la graisse et la crasse sur les fours et les grils.

Vadrouille à vapeur triangulaire



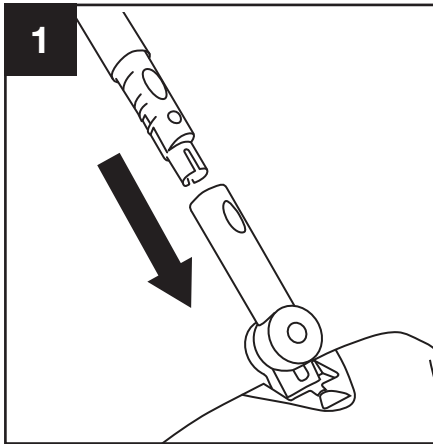
La vadrouille à vapeur triangulaire et le tampon de nettoyage peuvent servir à nettoyer le carrelage, le vinyle, le linoléum et le parquet verni.

Sac de rangement pour accessoires

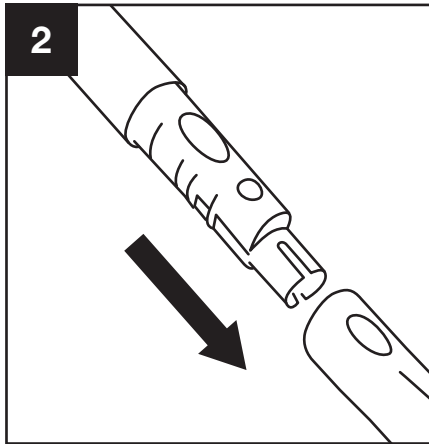


Monter et fixer la vadrouille à vapeur

ALWAYS attach accessories before turning the unit on.



Appuyez sur le bouton de verrouillage/déverrouillage sur la vadrouille à vapeur triangulaire et faites glisser le tube de rallonge sur l'adaptateur de vadrouille à vapeur. Appuyez fermement jusqu'à ce que le bouton s'enclenche dans le trou.

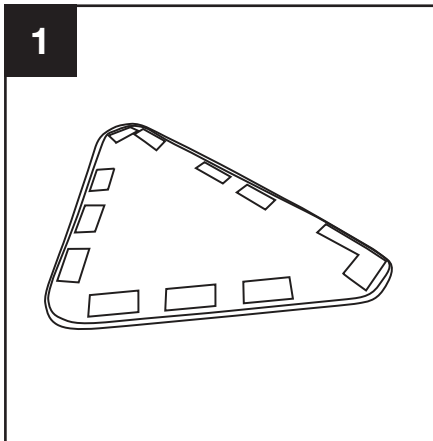


Appuyez sur le bouton de verrouillage/déverrouillage sur la rallonge et faites glisser la deuxième rallonge sur la première. Appuyez fermement jusqu'à ce que le bouton s'enclenche dans le trou.

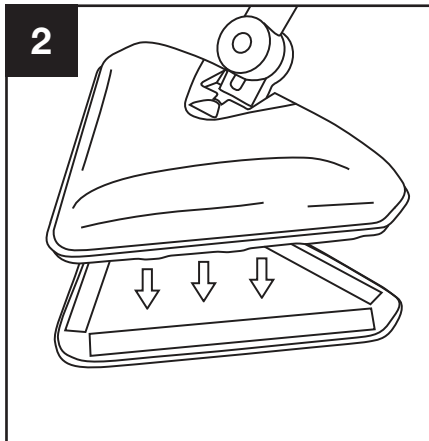
Tampon de nettoyage

Ne jamais retirer le tampon de nettoyage lorsque la machine est en marche ou chaude au toucher.

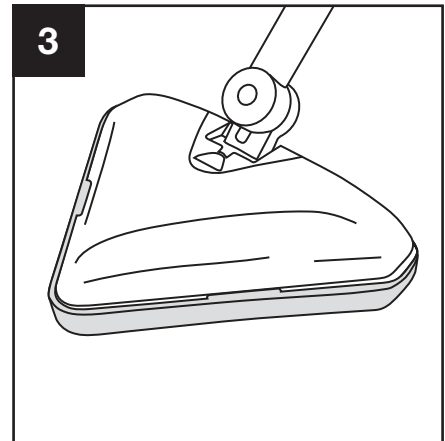
NOTE: To avoid over-saturating the cleaning pad after the SteamMachine has rested for a period of time, you may want expel built-up water condensation from inside the hose. Remove the cleaning pad, place triangle mop head onto a towel and trigger the gun for a few seconds. Once the water is discharged, attach cleaning pad and steam as you normally would.



Déposez le tampon de nettoyage sur surface plane avec la face de nettoyage vers le bas et des attaches crochet-et-boucle orientés vers le haut. Le tampon en microfibres est idéal pour nettoyer les planchers durs.



Placez la vadrouille à vapeur triangulaire sur le dessus du tampon de nettoyage. Appuyez sur la vadrouille à vapeur jusqu'à ce qu'elle se fixe au tampon. Votre vadrouille à vapeur est maintenant prête à nettoyer les planchers durs.



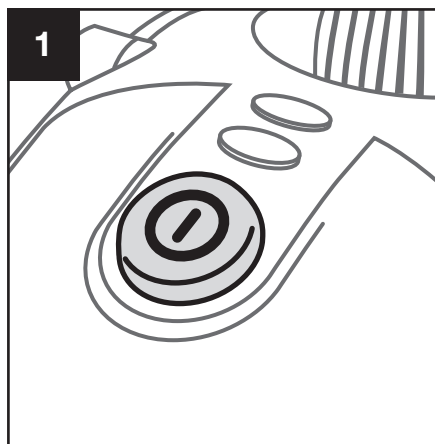
Le patin-glisser de tapis facultatif fonctionne avec le tampon blanc fourni. Le patin-glisser de tapis se fixe sur la vadrouille à vapeur, et est idéal pour rafraîchir les tapis et tuer les acariens.

La vadrouille à vapeur triangulaire et le tampon de nettoyage sont parfaits pour une utilisation sur ces revêtements de plancher durs :

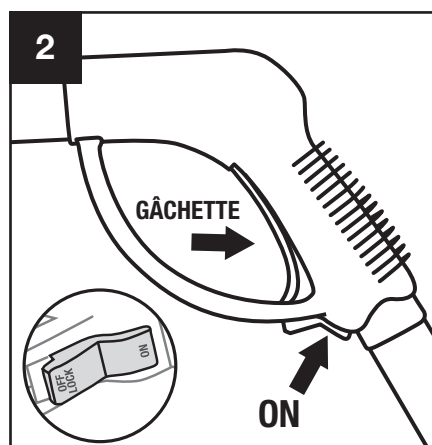
- Béton teinté
- Linoléum
- Marbre
- Granit
- Tuiles de céramique
- Vinyle

AVERTISSEMENT : ne pas utiliser sur du bois dur non traité, des planchers lamellés ou des surfaces de céramique non verni. Les surfaces qui ne sont pas protégées correctement peuvent être déformées ou endommagées à la suite de l'exposition à la chaleur et à l'humidité. Toujours faire un essai sur une petite partie avant de commencer.

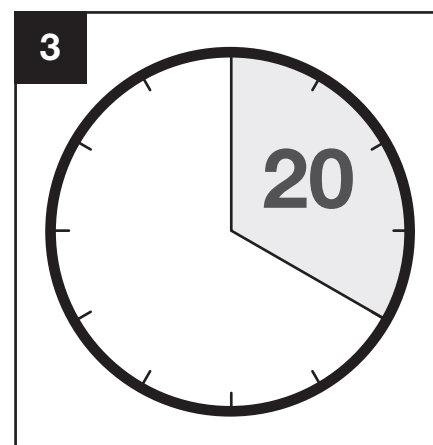
Nettoyage et entreposage



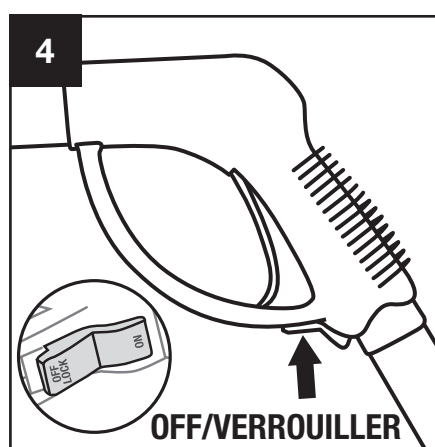
Placer l'interrupteur ON/OFF sur OFF et débrancher le cordon de la prise électrique.



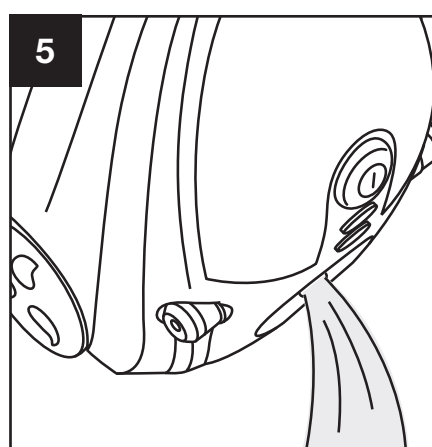
Laisser sortir toute la vapeur du réservoir en appuyant sur la gâchette du gicleur de vapeur (le commutateur rouge de sécurité doit être en position ON).



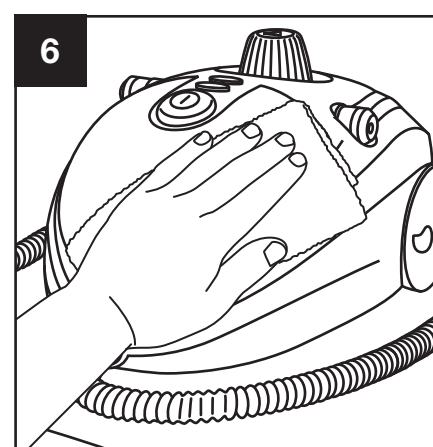
Laissez l'appareil refroidir complètement (au moins 20 minutes).



Verrouiller la gâchette du gicleur à vapeur sur la position OFF et enlever tous les accessoires de la gâchette.



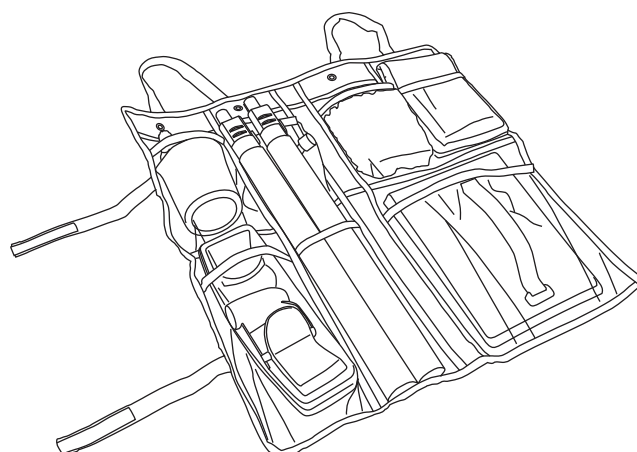
Vider l'eau restante du réservoir. **NE JAMAIS** entreposer l'appareil en laissant de l'eau dans le réservoir.



Essuyer l'appareil avec un chiffon et l'entreposer dans un endroit frais et sec.

Sac de rangement

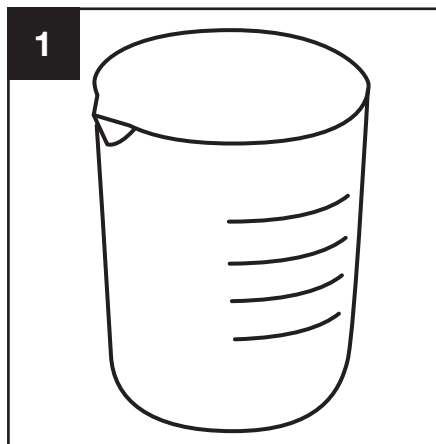
Rangez vos buses de SteamMachine, vos brosses et autres outils dans ce sac de rangement élégamment compacté. Ce sac est fabriqué à partir d'une toile de nylon robuste, et vous permettra d'organiser facilement tous vos accessoires de SteamMachine. Le sac a quatre œillets sur le bord supérieur et quatre crochets permettant de l'accrocher sur une porte, idéalement dans un endroit pratique. Les deux courroies crochet-et-bouche noires sur le côté permettent de plier le sac en deux et le garder fermé. Il y a également deux poignées sur le dessus pour transporter confortablement le sac d'un endroit à l'autre.



Dépôts minéraux

Si l'approvisionnement en eau de votre ville vous fournit une eau très minéralisée, il est **FORTEMENT RECOMMANDÉ** d'utiliser de l'eau distillée ou déminéralisée dans la SteamMachine. Si vous ne pouvez pas utiliser d'eau distillée, il est recommandé de suivre les procédures de nettoyage suivantes avant d'entreposer l'appareil.

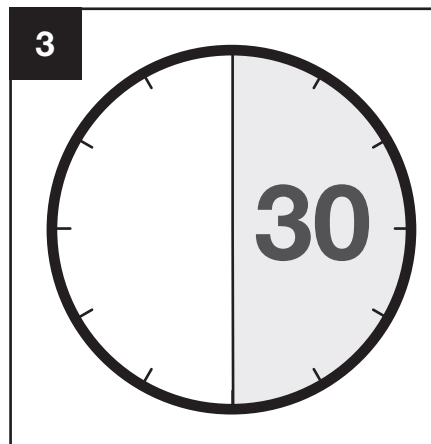
AVERTISSEMENT : NE JAMAIS nettoyer le réservoir d'eau lorsque l'appareil est branché dans une prise électrique.



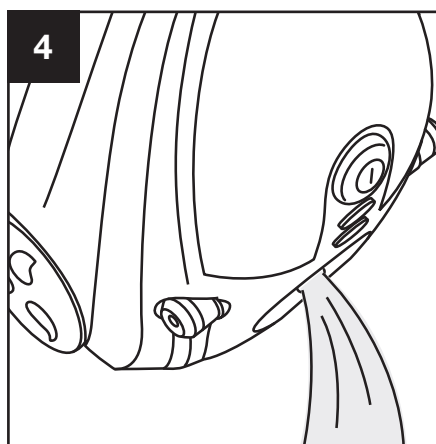
1 Utiliser une tasse à mesurer pour mélanger 235 ml (8 oz) de vinaigre à 235 ml (8 oz) d'eau.



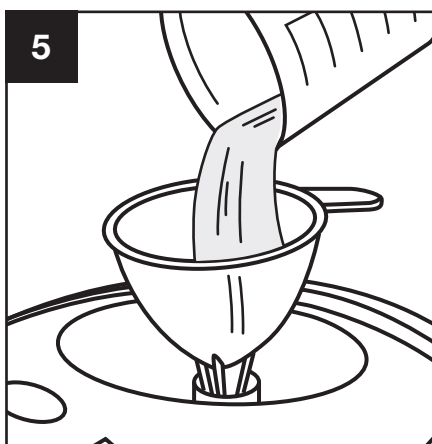
2 Utiliser l'entonnoir pour verser la solution dans le réservoir d'eau.



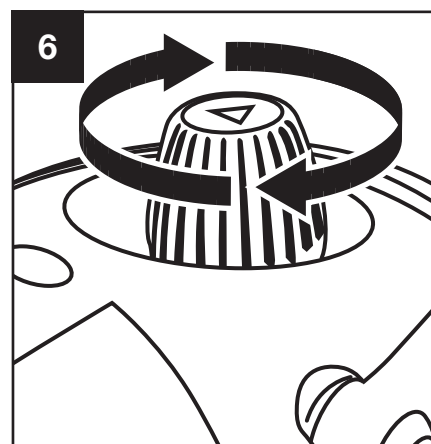
3 Laisser reposer pendant 30 minutes.



4 Vider la solution d'eau et de vinaigre du réservoir.



5 Rincer le réservoir d'eau avec de l'eau fraîche et répéter les étapes 1 à 5 jusqu'à ce que l'odeur vinaigrée disparaisse.

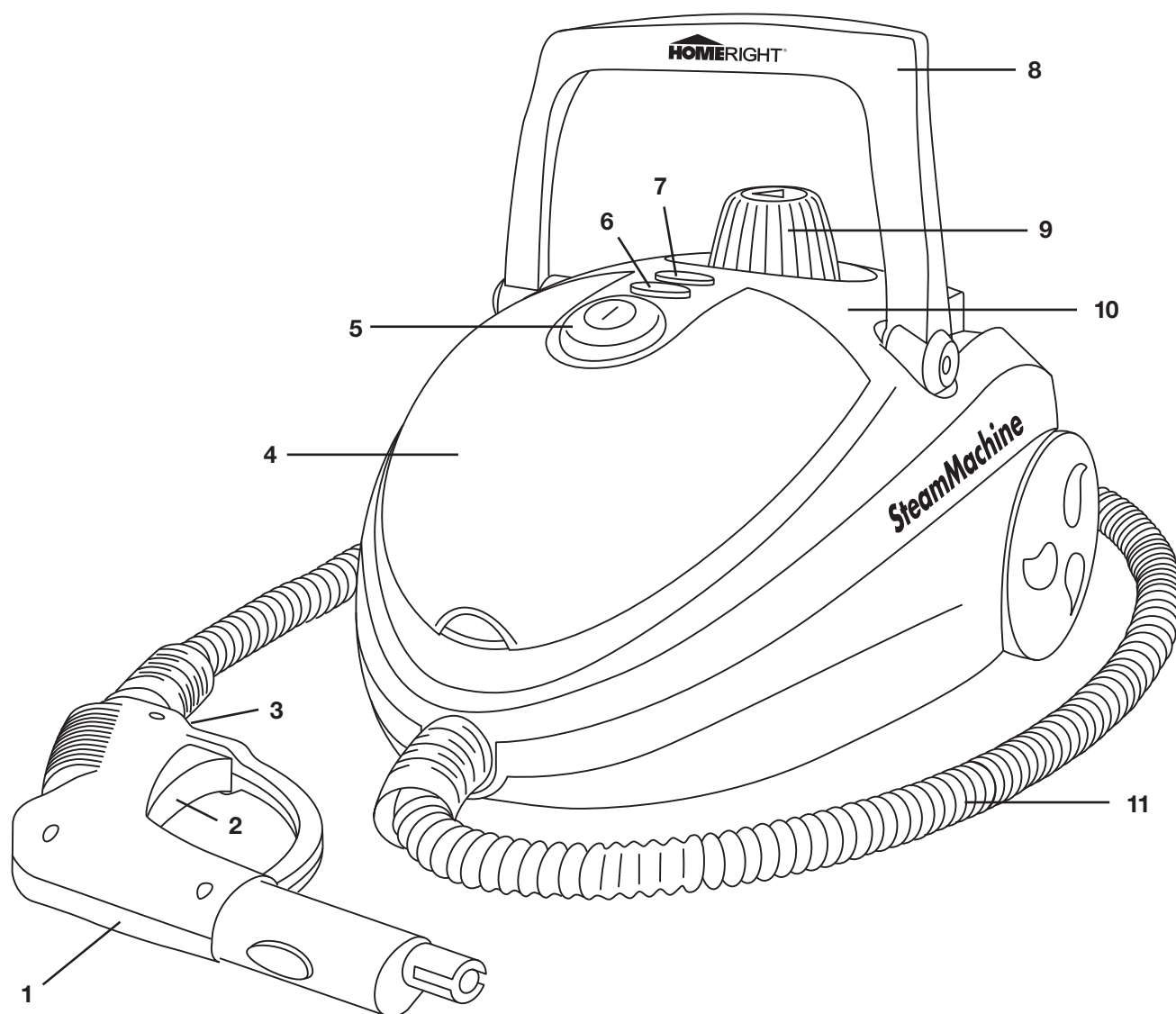


6 Remettre le couvercle de sécurité du réservoir d'eau et ranger l'appareil dans un endroit frais et sec.

Dépannage

PROBLÈME	CAUSE	SOLUTION
<p>1. L'appareil ne se réchauffe pas. Le voyant rouge NE s'allume PAS lorsque l'interrupteur ON/OFF est placé en position ON.</p>	<p>A. L'appareil n'est pas branché. B. Connexion électrique lâche. C. L'appareil est endommagé ou a besoin d'être réparé.</p>	<p>A. Vérifier la prise murale. B. Cesser l'utilisation et communiquer avec le Service à la clientèle. C. Cesser l'utilisation et communiquer avec le Service à la clientèle.</p>
<p>2. L'appareil ne se réchauffe pas. Le voyant rouge S'allume BIEN lorsque l'interrupteur ON/OFF est placé en position ON.</p>	<p>A. Le réservoir d'eau est vide. B. Dépôts minéraux dans l'appareil. C. L'appareil est endommagé ou a besoin d'être réparé.</p>	<p>A. Consulter la procédure de Remplissage du réservoir d'eau à la page 18. B. Consulter la section Dépôts minéraux à la page 24 pour obtenir les procédures de nettoyage. C. Cesser l'utilisation et communiquer avec le Service à la clientèle.</p>
<p>3. La sortie de vapeur est faible ou intermittente.</p>	<p>A. Le niveau d'eau dans le réservoir est bas. B. Le tuyau de vapeur peut être plié à l'intérieur. C. Dépôts minéraux dans l'appareil.</p>	<p>A. Consulter la procédure de Remplissage du réservoir d'eau à la page 18. B. Déplier le tuyau. Faire tourner le pistolet à vapeur peut aider à déplier le tuyau. C. Consulter la section Dépôts minéraux à la page 24 pour obtenir les procédures de nettoyage.</p>
<p>4. Quantité excessive d'eau dans la vapeur.</p> <p>REMARQUE : L'appareil SteamMachine produit beaucoup de vapeur. La vapeur peut se condenser et devenir de l'eau ou des gouttes d'eau dans le tuyau de vapeur, les outils et le gicleur, et cette eau sera évacuée après que la machine ait refroidi. Cela est normal et ne devrait pas causer d'inquiétudes.</p>	<p>A. Condensation d'eau dans le tuyau de vapeur. B. Le réservoir d'eau a été excessivement rempli. C. L'appareil n'a pas atteint sa température de fonctionnement.</p>	<p>A. Pointer le gicleur vers un lavabo et l'agiter en pressant la gâchette de vapeur. B. Remplir le réservoir d'eau avec plus de 1 200 ml (40 oz) d'eau si l'eau interfère avec la production de vapeur entraînant de la condensation. Éteindre l'appareil, le laisser refroidir et vider un peu d'eau du réservoir. C. Attendre que le voyant de pression de vapeur orange soit éteint.</p>
<p>5. Les accessoires ne restent pas fermement connectés au gicleur principal.</p>	<p>A. Les accessoires ne sont pas installés correctement.</p>	<p>A. Consulter les instructions d'installation des accessoires aux pages 21 à 23.</p>
<p>6. Les surfaces de plancher semblent être rayées après le nettoyage.</p>	<p>A. Le tampon de nettoyage est sale. B. Résidus d'eau dure sur le plancher.</p>	<p>A. Remplacer le tampon de nettoyage par un tampon propre. B. Utiliser de l'eau distillée ou déminéralisée.</p>

Caractéristiques



C900134 STEAMMACHINE ELITE

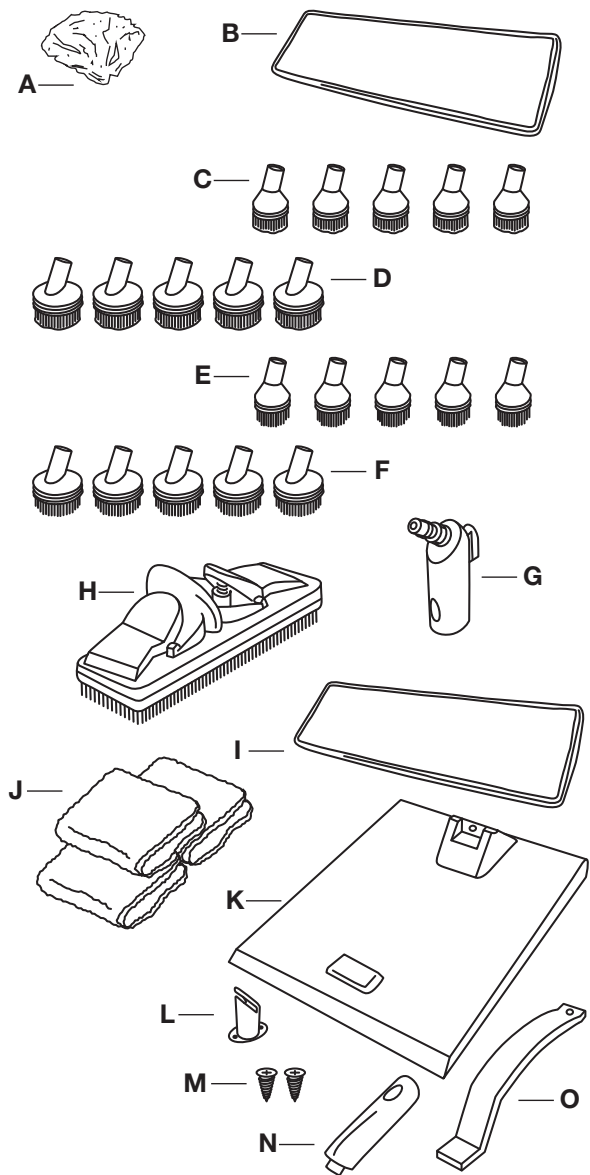
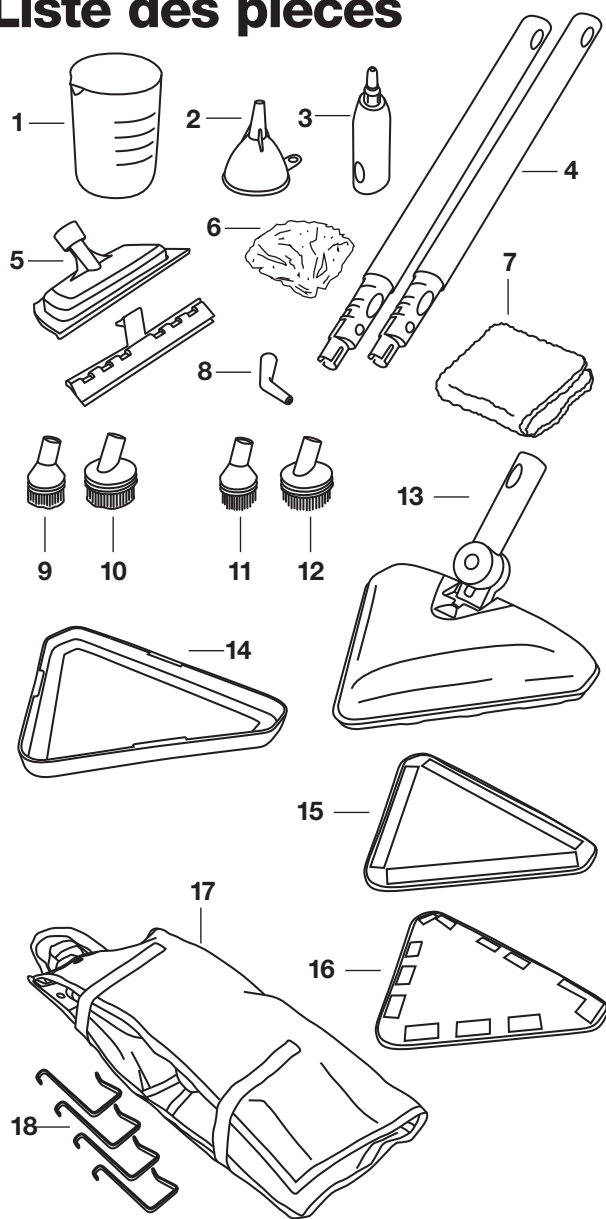
Item	Description
1	Pistolet à vapeur
2	Gâchette du gicleur de vapeur
3	Interrupteur de verrouillage de la vapeur
4	Zone de rangement des accessoires (interne)
5	Bouton de marche/arrêt
6	Témoin de fonctionnement rouge

Item	Description
7	Témoin de production de vapeur orange
8	Poignée de transport
9	Couvercle du réservoir d'eau
10	Réservoir d'eau (interne)
11	Tuyau de vapeur

Si vous ne pouvez pas obtenir de pièces et accessoires du détaillant de votre région, téléphonez-nous ou visitez homeright.com

Wagner Spray Tech Corporation
 1770 Fernbrook Lane
 Plymouth, MN 55447
 United States of America
 Téléphone : 763-780-5115 • 1-800- 264- 5442
 7.5 h à 16.5 h, heure normale du Centre

Liste des pièces



ACCESSOIRES INCLUS

Article	No de pièce du Service à la clientèle	Description
1	C817558	Tasse à mesurer
2	C817557	Entonnoir
3	C817519	Adaptateur droit
4	C817552	Rallonges (2)
5	C817522	Ra cloir et vaporisateur de vapeur pour tissu
6	C817755	Béret en tissu pour vaporisateur de vapeur pour tissu
7	C817556	Serviette de nettoyage en microfibre
8	C817524	Gicleur
9	C817554	Petite brosse à usages multiples
10	C817756	Grande brosse en laiton
11	C817725	Petite brosse à usages multiples en nylon
12	C817555	Grande brosse à usages multiples en nylon
13	C818146	Tête de vadrouille triangulaire
14	C818147	Patin de tapis triangulaire
15	C818148	Tampon de microfibre triangulaire
16	C818331	Tampon en coton poly triangulaire
17	C818090	Sac de rangement
18	C818091	Crochets de sac de rangement

ACCESSOIRES SUPPLÉMENTAIRES

Article	No de pièce du Service à la clientèle	Description
A	C817755	Béret en tissu pour vaporisateur de vapeur pour tissu - Paquet de 1
B	C800938.M	Vadrouille en tissu chenille - Paquet de 1
C	C800945.M	Petite brosse à usages multiples - Paquet de 5
D	C800946.M	Grande brosse en laiton - Paquet de 5
E	C800947.M	Small Nylon Utility Brush - 5 Pack
F	C800948.M	Large Nylon Utility Brush - 5 Pack
G	C817520	Adaptateur incliné pour grande brosse
H	C817523	Grande brosse de nettoyage
I	C800937.M	Tampon en microfibre pour grande brosse de nettoyage
J	C800944.M	Serviette de nettoyage en microfibre - Paquet de 3
K	C800893	Plaque à vapeur pour papier peint assemblée
L		Diffuseur pour plaque à vapeur
M		Vis pour le diffuseur de plaque à vapeur (2)
N		Adaptateur pour plaque à vapeur
O		Poignée de la plaque à vapeur

1



SteamMachine Elite

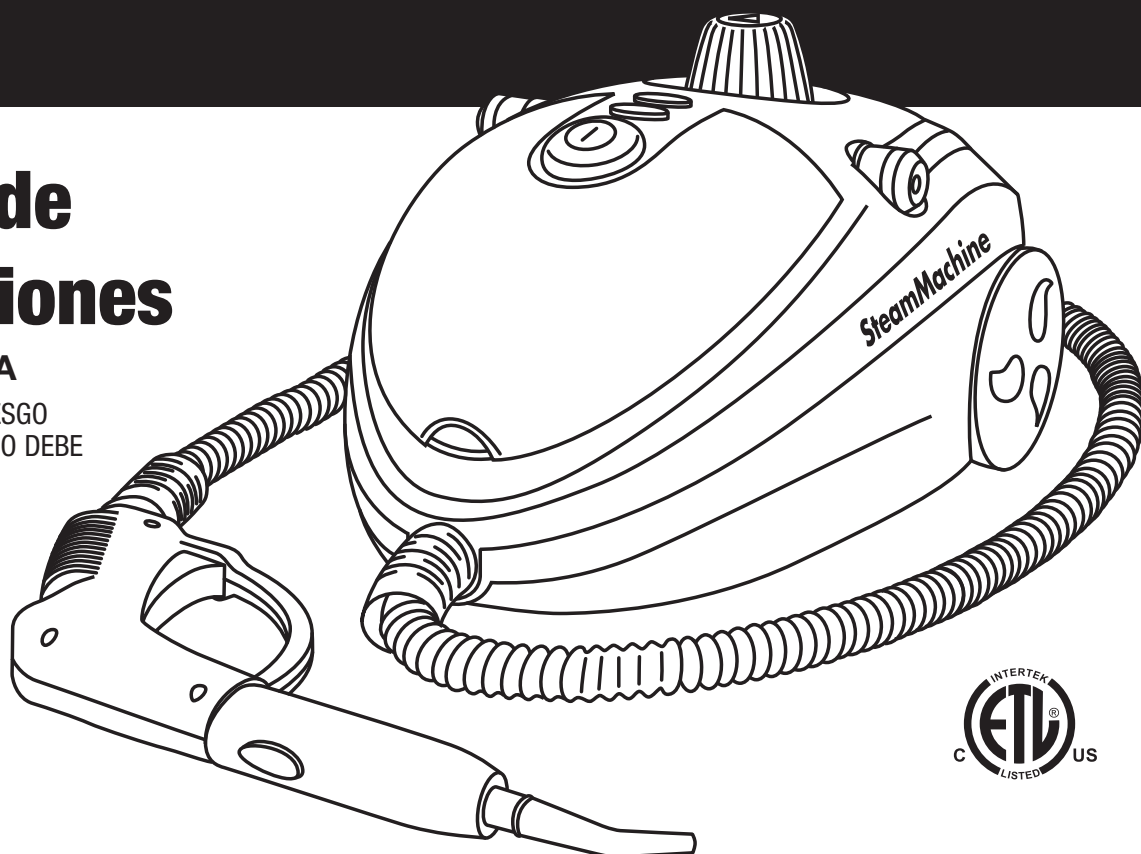
Manual de instrucciones

⚠ ADVERTENCIA

A FIN DE REDUCIR EL RIESGO DE LESIONES, EL USUARIO DEBE LEER EL MANUAL DE INSTRUCCIONES.

ÚNICAMENTE PARA SU USO EN VIVIENDAS.

MANTENGA A LOS NIÑOS ALEJADOS DEL LUGAR DE TRABAJO.



Índice

Medidas preventivas importantes	30
Guía de referencia rápida para inicio rápido	32
Carga del tanque de agua	33
Funcionamiento de la pistola de vapor	34
Accesorios para montar y colocar	35
Limpieza y almacenamiento	37
Solución de problemas	39
Lista de partes	40-41

Servicio de atención al cliente

1-800-264-5442 o 763-780-5115,
7:30 a. m. a 4:30 p. m. CST (horario central).

Inglés (página 1)

Francés (página 15)

Español (página 29)

Hecho en China

**Regístrese en línea hoy
Para activar su garantía de dos años**

Vaya en línea en www.homeright.com. Vea detrás la paginación para los detalles de la garantía.

Medidas preventivas y advertencias

HomeRight no será responsable por las pérdidas o daños resultantes del uso de este producto de formas no indicadas específicamente en este manual. El usuario asume todos los riesgos asociados con dicho uso no específico. Antes de utilizar este producto, el usuario debe evaluarlo y determinar si resulta apto para la aplicación prevista. El usuario asume todos los riesgos y responsabilidades asociados con dicho uso.

Lea y respete todas las medidas preventivas

La SteamMachine es una unidad segura si se la usa de forma adecuada; sin embargo, puede resultar peligrosa si se la usa de forma incorrecta. Es responsabilidad del usuario leer y comprender todas las instrucciones, las MEDIDAS PREVENTIVAS IMPORTANTES y las precauciones de seguridad antes de poner en funcionamiento la unidad y utilizarla de forma apropiada. De no cumplirse dichos pasos, podría dañar el producto, sufrir una lesión personal o perder la vida. El usuario asume todos los riesgos asociados con el uso indebido.

NO intente reparar (o desmontar) la unidad usted mismo. El artefacto debe ser reparado por un técnico calificado y familiarizado con el producto o debe ser devuelto a HomeRight™ (consulte la garantía). Utilizar esta unidad únicamente con las partes autorizadas. **El usuario asume todos los riesgos y las responsabilidades que implica hacer funcionar el producto con partes que no cumplen con las especificaciones de fabricación.**

Advertencias

- **NO** haga funcionar la unidad sin agua en el tanque.
- **NO** sobrecargue el tanque de agua. La unidad puede soportar un máximo de hasta 40 onzas (1200 ml) de agua. La sobrecarga de agua en el tanque puede dañar el artefacto y causar lesiones al operario.
- **NO** cargue en el tanque de agua otro líquido que no sea agua. Otros agentes de limpieza podrían provocar daños a la unidad o causar lesiones. Es ALTAMENTE RECOMENDABLE utilizar agua destilada o desmineralizada para reducir la acumulación de depósitos minerales.
- **NO** utilice la unidad por más de una hora a la vez.
- **NO** permita en ningún momento que el artefacto quede en funcionamiento sin supervisión.
- **NO** apunte el vapor directamente a personas, animales o dispositivos eléctricos.
- **NO** toque la boquilla principal ni intente colocar otros dispositivos mientras la unidad está en funcionamiento.
- **NO** intente utilizar la placa de vapor que incluye esta unidad como dispositivo de limpieza. La placa de vapor está diseñada únicamente para remover papel tapiz.
- **NO** toque la parte inferior del cabezal de la escobilla ni intente colocar la almohadilla de limpieza mientras la unidad está en funcionamiento.
- **NO** dé vuelta la unidad ni la incline más de 45° mientras esté conectada o generando vapor.
- **NO** haga funcionar la unidad si el cable de alimentación está dañado, de ser así, un técnico calificado debe repararlo.
- **NO** tire del cable para transportar la unidad SteamMachine.
- **NO** tire del cable para desconectar la unidad. Siempre sosténgala del tapón y no del cable.

- **NO** exponga el artefacto a temperaturas heladas.
- **NO** coloque la unidad de vapor sobre una superficie húmeda ni la opere cerca de una fuente de agua.
- **NO** coloque la unidad sobre toallas, sábanas u otras almohadillas aislantes.
- **NUNCA** haga funcionar el artefacto sin el tapón de seguridad bien enroscado en su lugar.
- **NUNCA** desenrosque ni intente extraer el tapón de seguridad a presión o el tapón del tanque mientras la unidad está en funcionamiento.
- **NUNCA** utilice este artefacto para limpiar dispositivos electrónicos.
- **NUNCA** apoye la escobilla en ninguna superficie por más de unos pocos segundos. La exposición prolongada al calor y a la humedad podría dañar las superficies.
- **SIEMPRE** desconecte la unidad cuando no esté en funcionamiento.
- **SIEMPRE** apague la unidad antes de desconectarla del tomacorriente.
- **SIEMPRE** apague la unidad y desconecte el cable de alimentación antes de cargar el tanque de agua.
- **SIEMPRE** permita que la unidad se enfríe por 10 minutos antes de extraer el tapón del tanque para volver a cargar agua.
- Espere **SIEMPRE** 30 minutos para que la unidad se enfríe antes de quitar la tapa del tanque para rellenar la unidad.
- Permita **SIEMPRE** que la unidad se enfríe por completo antes de guardarla.

Precaución

Si hay una gran cantidad de vapor de las emisiones de la tapa de llenado, apague y desconecte la unidad a la vez. Un agente de servicios debe controlar y reparar la unidad SteamMachine.

Hazard



VAPOR CALIENTE Y PIEZAS.
Puede provocar lesiones tales como quemaduras en la piel y daños materiales. Las temperaturas superan los 212 °F (100 °C).



FUEGO.
Puede provocar lesiones o daños materiales graves.



DESCARGA ELÉCTRICA.
Puede provocar lesiones graves.

Medidas preventivas y advertencias

Limpieza de telas:

Ciertos materiales y telas NO se pueden limpiar con vapor:

NO utilice la unidad en cuero, muebles o pisos encerados y lustrados, telas sintéticas, terciopelo, Dralon u otros materiales delicados y sensibles al vapor.

Cuando se aplica vapor sobre cualquier superficie por primera vez, se recomienda consultar la guía de limpieza del fabricante.

Limpieza de vidrios y espejos:

Un golpe térmico además puede hacer estallar el vidrio. No aplique vapor en superficies de vidrio que tengan una temperatura menor a 32 °F(0° C).

Conexiones eléctricas

- Utilice un cable de prolongación de 3 clavijas que tenga al menos un calibre de 18.
- Solo enchufe el cable o el cable de prolongación a una fuente de alimentación con descarga a tierra de 3 clavijas.
- A fin de evitar una descarga eléctrica, NUNCA sumerja la unidad SteamMachine en el agua u otros líquidos.

De la Prop. 65

⚠ ADVERTENCIA:

Este producto puede exponerle a químicos incluyendo Lead and Phthalates, que son conocidos por el Estado de California como causantes de cáncer y defectos de nacimiento u otros daños reproductivos. Para mayor información, visite www.P65Warnings.ca.gov.

Instrucciones para la descarga a tierra

El producto debe tener descarga a tierra. En caso de un cortocircuito eléctrico, la descarga a tierra reduce el riesgo de una descarga eléctrica al proveer un cable de escape para la corriente eléctrica. Este producto incluye un cable que contiene descarga a tierra mediante un enchufe de descarga a tierra adecuado. El enchufe se debe conectar a un tomacorriente apropiado que se haya instalado correctamente y que tenga descarga a tierra conforme a lo que indican todos los códigos y ordenanzas locales.

⚠ Advertencia

PELIGRO: el uso inapropiado del enchufe con descarga a tierra puede causar una descarga eléctrica.

Cables de prolongación

Utilice únicamente un cable de prolongación de 3 clavijas que tenga un enchufe con descarga a tierra de 3 clavijas y una entrada de tres ranuras que sea compatible con el enchufe en el producto. Cerciórese de que el cable de prolongación tenga certificación UL/ETL/CSA y que además esté en buenas condiciones. Al utilizar un cable de prolongación, cerciórese de que sea el adecuado para la corriente. Para longitudes menores a los 18 pies (5,5 metros), utilice un cable N. ° 16 AWG o más pesado; para longitudes mayores a los 18 pies (5,5 metros) pero menores a los 25 pies (7,62 metros), utilice un cable N. ° 14 AWG; para longitudes mayores a los 25 pies (7,62 metros), utilice un cable N. ° 12 AWG o más pesado. Si tiene dudas, utilice un mayor calibre. Un cable de tamaño insuficiente podría causar una caída en la tensión de la línea y sobrecalentamiento, lo que puede dañar la unidad o el cable de prolongación.

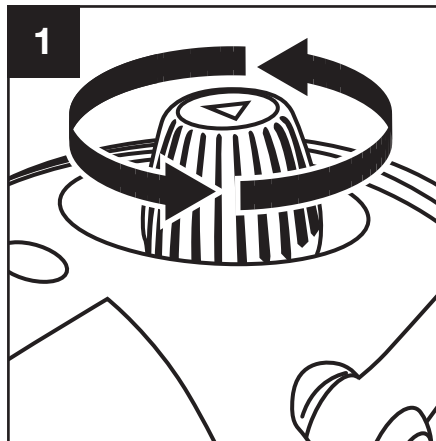
Almacenamiento

Permita SIEMPRE que la unidad se enfríe por completo antes de guardarla. Para evitar daños, el cable eléctrico no debe quedar torcido mientras esté guardado.

Guía de referencia rápida para inicio rápido

La siguiente guía es sólo para referencia rápida. Antes de utilizar el producto, lea todo el manual de instrucciones.

⚠ Lea todas las advertencias e instrucciones de seguridad del manual de instrucciones antes de usar el producto.

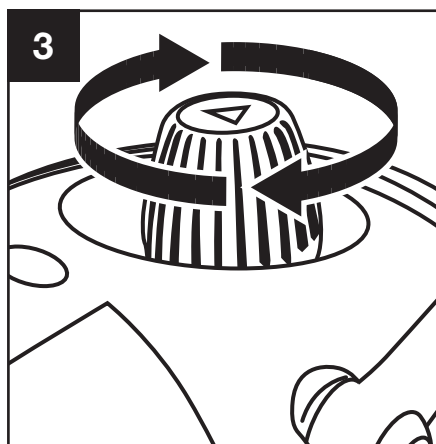


Desenrosque el tapón de seguridad; para hacerlo, gírelo en dirección contraria a las agujas del reloj.

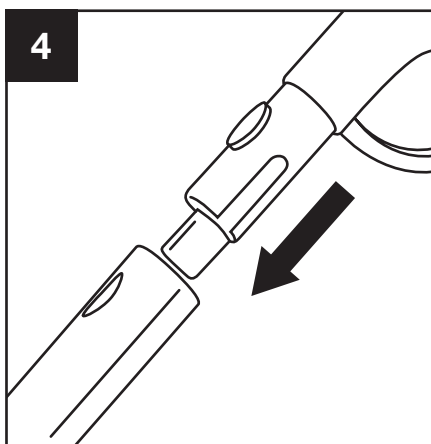


Cargue el tanque mediante el embudo y el vaso de medición que se incluyen. El tanque almacena hasta 40 onzas (1200 ml) de agua; NO sobrecargue el tanque de agua, de lo contrario, se podría dañar el artefacto.

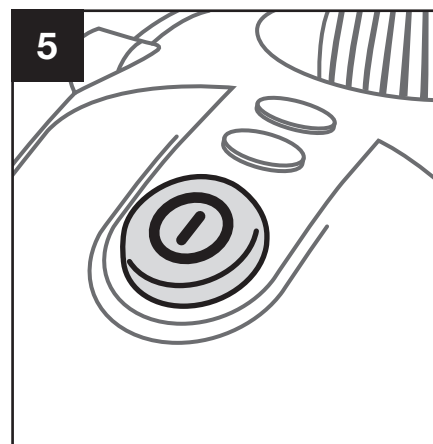
NOTA: utilice únicamente agua destilada, ya que la acumulación de minerales presente en el agua corriente puede acortar la vida útil del vaporizador.



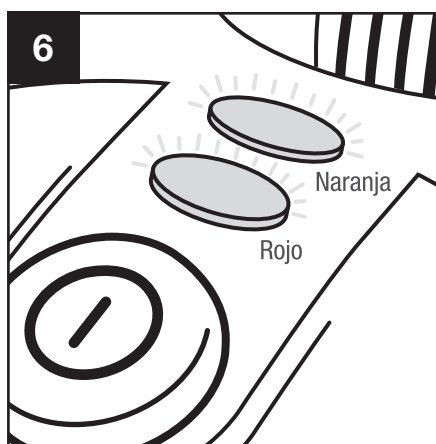
Cuando haya terminado de cargar el tanque, vuelva a colocar el tapón de seguridad; para hacerlo, gírelo en el sentido de las agujas del reloj y ajústelo bien.



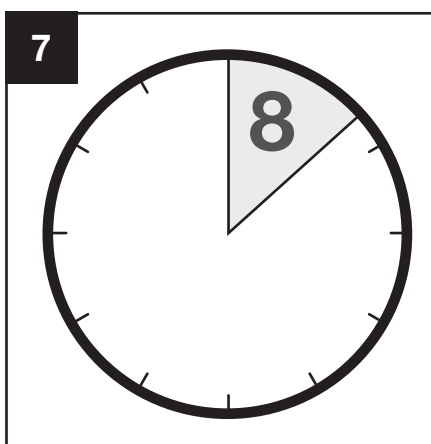
Coloque el adaptador de limpieza y los accesorios necesarios a la boquilla de la pistola de vapor.



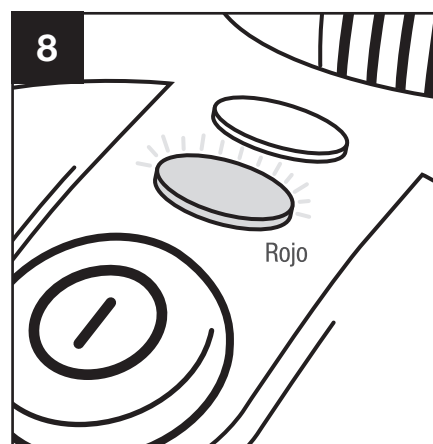
Conecte el artefacto al tomacorriente y presione el botón de encendido/apagado (ON/OFF) para configurarlo en la posición de encendido (ON).



La luz roja de encendido y la luz naranja de vaporización, que indica que el artefacto está generando vapor, deben estar encendidas.



Espere aproximadamente 8 minutos para que el artefacto genere presión de vapor.



Se podrá utilizar el artefacto cuando la luz naranja de presión de vapor se apague.

Uso de agua y guía del tiempo de vaporización

Cantidad de agua	Duración del vapor
13 onzas/400 ml	Aproximadamente 15 min.
26 onzas/800 ml	Aproximadamente 30 min.
40 onzas/1200 ml	Aproximadamente 45 min.

Nueva carga del tanque de agua

Si la unidad ha estado en funcionamiento, SIEMPRE respete estas precauciones de seguridad antes de quitar el tapón de seguridad del tanque de agua:

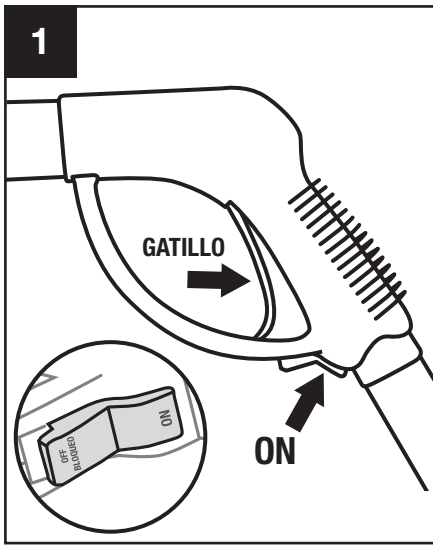
- Coloque el interruptor en la posición de apagado (OFF) y desconecte la unidad. Permita que la unidad se enfríe por al menos 10 minutos. Espere siempre al menos 30 minutos para que la unidad se enfríe.
- Libere toda la presión de vapor de la unidad al presionar el gatillo vaporizador de la boquilla (el botón rojo de seguridad debe estar en posición de ENCENDIDO).

△ ADVERTENCIA: Si no respeta estas instrucciones, el vapor que se libera al quitar el tapón de seguridad del tanque de agua podría provocar quemaduras.

NOTA: la tapa de seguridad girará, pero no se desatornillará hasta que la unidad esté fría y se haya liberado el vapor.

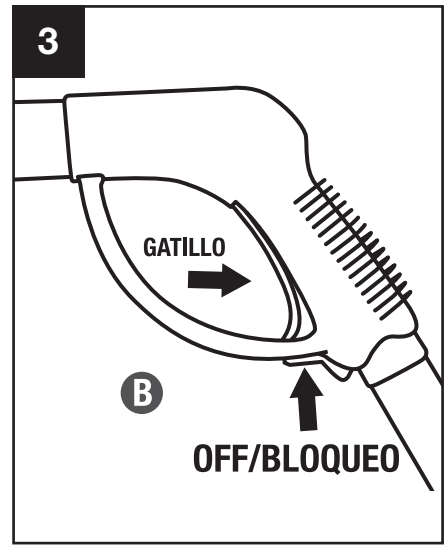
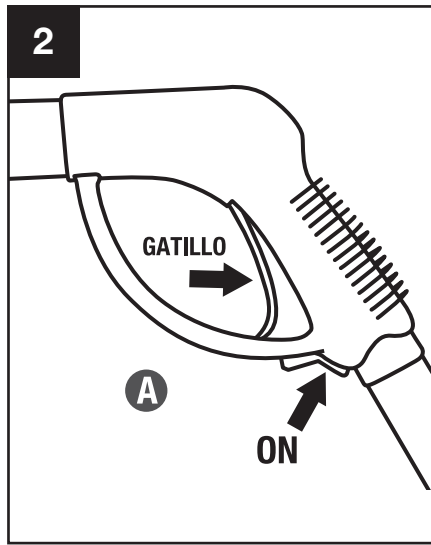
△ PRECAUCIÓN: Para uso doméstico solamente. No sobrellene el tanque ya que puede ocasionar daños a la unidad. Permita un período antes de rellenar el tanque de enfriamiento de 30 minutos.

Funcionamiento de la pistola de vapor



La salida de vapor se controla mediante la pistola de vapor. La pistola contiene el gatillo que libera vapor y el botón rojo de seguridad.

Para generar vapor de forma continua, presione el botón rojo de seguridad para configurarlo a la posición de encendido (ON). Presione el gatillo para liberar vapor.



Para una continua generación de vapor:

(A) Comience al presionar el botón rojo de seguridad hasta la posición de ENCENDIDO, tire del gatillo y luego presione el botón de seguridad hasta que quede TRABADO. El gatillo se encuentra trabado en el modo de vapor continuo.

(B) Para destrabarlo del modo de vapor continuo, libere el gatillo y presione el botón rojo de seguridad de nuevo hasta la posición de ENCENDIDO.

Regeneración de la presión de vapor durante el funcionamiento

⚠ ADVERTENCIA:

El agua caliente o el vapor pueden provocar quemaduras. **NO** toque la boquilla que libera vapor ni intente conectar accesorios mientras la unidad todavía está en funcionamiento.

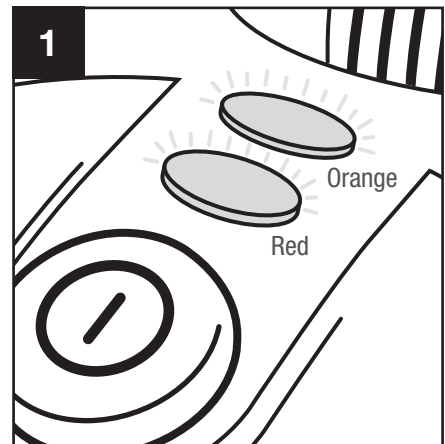
NUNCA apunte el vapor a una persona, mascota o dispositivo eléctrico.



⚠ PELIGRO:

VAPOR CALIENTE Y PIEZAS.

Puede provocar lesiones tales como quemaduras en la piel y daños materiales. Las temperaturas superan los 212 °F (100 °C).



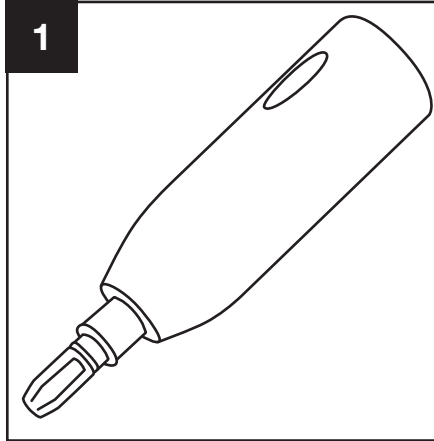
Si se enciende la luz naranja de vaporización cuando el artefacto está en funcionamiento, significa que necesita volver a generar presión en el tanque. El equipo aún puede emplearse mientras vuelve a acumularse la presión.

Montar y colocar los accesorios

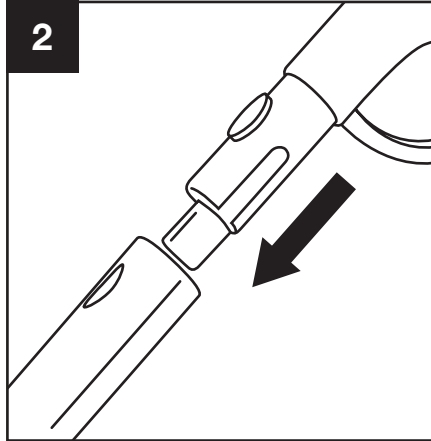
Colocación del secador de goma, la boquilla de chorro y las escobillas utilitarias en la boquilla de vapor

NOTA: El adaptador recto se utiliza para colocar todos los accesorios en la pistola de vapor, excepto la escobilla grande.

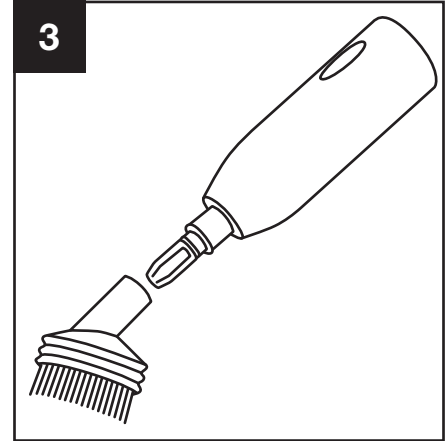
SIEMPRE coloque los accesorios antes de encender la unidad.



Utilice el adaptador recto para colocar los accesorios en la boquilla de la pistola de vapor.



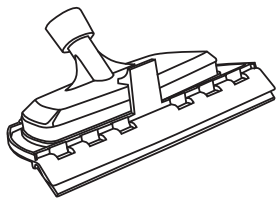
Deslice el adaptador recto sobre la boquilla de la pistola de vapor, alinee el orificio ovalado con el botón de bloqueo/desbloqueo y presione el botón para permitir que el accesorio se deslice hasta quedar en su lugar.



Deslice el accesorio por el adaptador recto.

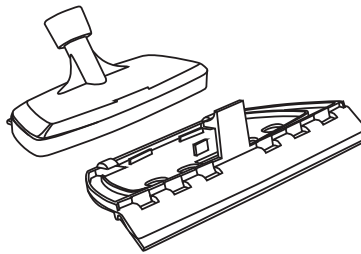
Limpieza con los accesorios

Secador



El **secador** es una herramienta excelente para limpiar las puertas de las duchas y las paredes del baño, las compuertas de chimeneas y las ventanas. No lo utilice sobre vidrio cuando la temperatura sea menor a 32 °F (0 °C). El vidrio puede partirse en temperaturas frías.

Vaporizador para tejidos



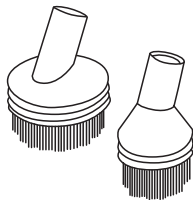
Quite el borde de goma y úselo para vaporizar prendas y para matar ácaros en colchones.

Boquilla de chorro



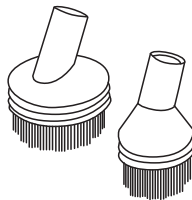
La boquilla de chorro puede utilizarse para desinfectar tanto accesorios de baño y cocina como lugares de difícil acceso.

Cepillos de nylon rígidos



Los cepillos de nylon sirven para espacios difíciles de alcanzar, alrededor del lavabo y grifos del baño.

Cepillos de latón



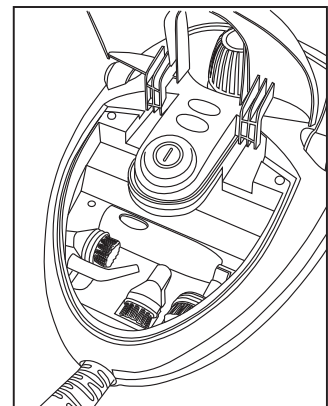
Los cepillos de latón sirven para limpiar la grasa y suciedad de hornos y parrillas.

Trapeador a vapor triangular



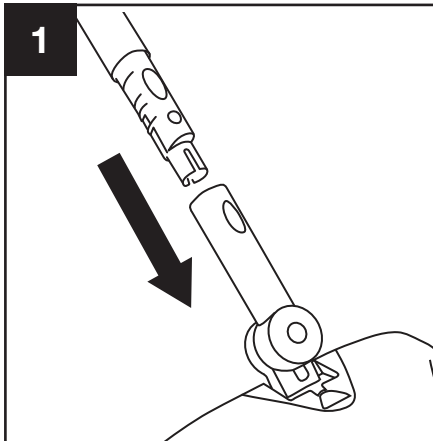
El trapeador a vapor triangular y la almohadilla limpiadora sirven para limpiar pisos de baldosas cerámicas, vinilo o linóleo, como también pisos sellados de madera dura.

Almacenamiento de accesorios

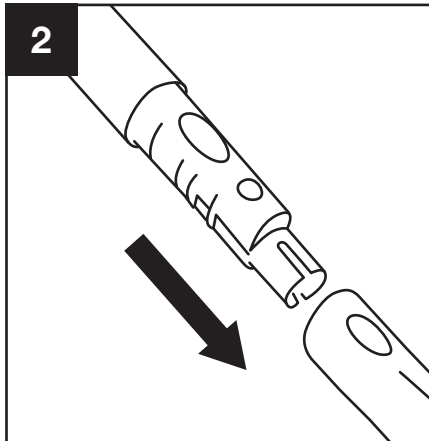


Ensamblaje e instalación del trapeador a vapor

ALWAYS attach accessories before turning the unit on.



Presione el botón de bloqueo/desbloqueo situado en el trapeador a vapor triangular y deslice la vara de extensión hacia dentro del adaptador del trapeador. Presione firmemente hasta que el botón encaje en el orificio.

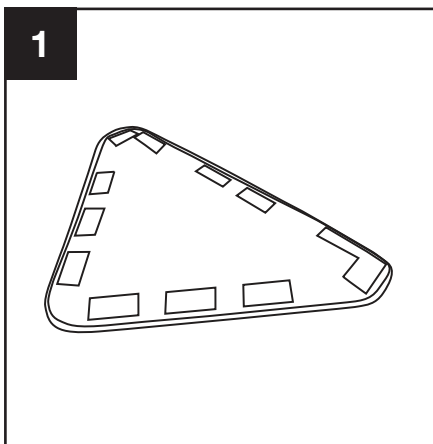


Presione el botón de bloqueo/desbloqueo situado en la extensión y deslice la segunda extensión dentro de la primera extensión. Presione firmemente hasta que el botón encaje en el orificio.

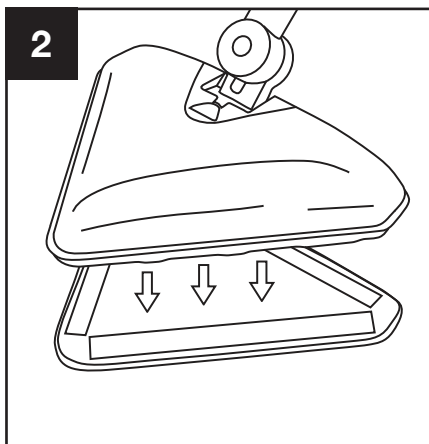
Almohadilla limpiadora

No quite nunca la almohadilla limpiadora mientras que el aparato esté funcionando o se sienta tibio al tacto.

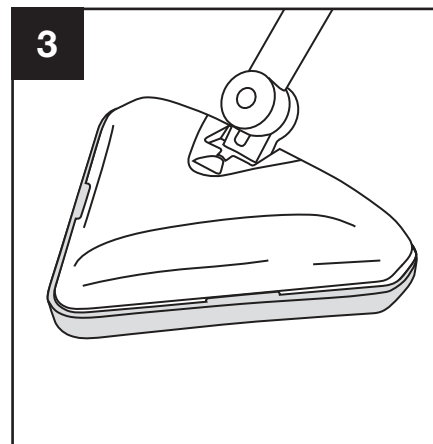
NOTE: Si la SteamMachine no ha funcionado por un período de tiempo, se recomienda expulsar la condensación de agua acumulada en la manguera para no saturar demasiado la almohadilla limpiadora. Retire la almohadilla limpiadora, coloque el cabezal del trapeador triangular en una toalla y apriete el gatillo durante unos segundos. Una vez que salga el agua, vuelva a colocar la almohadilla limpiadora y aplique el vapor de la manera habitual.



Ponga la almohadilla limpiadora en una superficie plana, con el lado de limpieza hacia abajo y los accesorios de lazo y gancho hacia arriba. La almohadilla de microfibra azul (incluida) es ideal para limpiar superficies de pisos duros.



Coloque el trapeador a vapor triangular sobre la almohadilla limpiadora. Empuje hacia abajo el trapeador a vapor hasta que esté conectado. El trapeador a vapor está ahora listo para limpiar superficies de pisos duros.



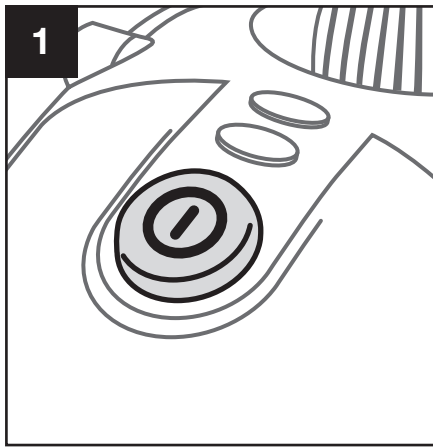
El accesorio deslizador para alfombras (opcional) funciona con la almohadilla blanca incluida. El accesorio deslizador para alfombras se puede encajar en el trapeador a vapor. Es ideal para refrescar las alfombras y destruir los ácaros de polvo.

El trapeador a vapor triangular y la almohadilla limpiadora son ideales para usos en las siguientes superficies de pisos duros:

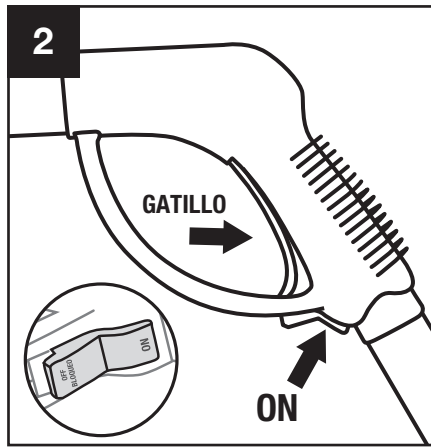
- Hormigón pintado
- Baldosas de Cerámica
- Linóleo
- Vinilo
- Mármol
- Granito

ADVERTENCIA: No utilice sobre madera dura sin sellar, pisos laminados o superficies de cerámica sin vidrio. Las superficies que no están adecuadamente selladas pueden alabearse o dañarse por la exposición al calor y la humedad. Siempre haga la prueba sobre un área pequeña antes de comenzar.

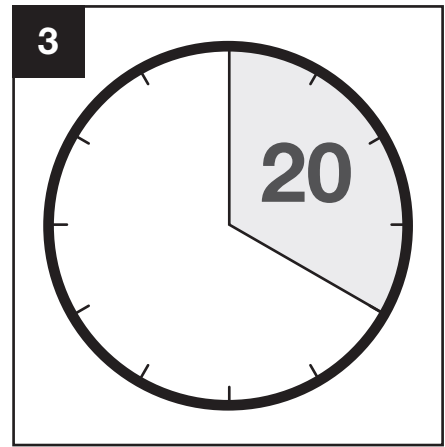
Limpieza y almacenamiento



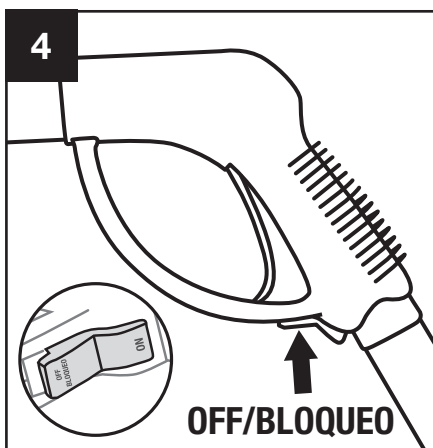
Presione el botón de encendido/apagado (ON/OFF) para configurarlo en la posición de apagado (OFF) y desenchufe el cable de alimentación del tomacorriente.



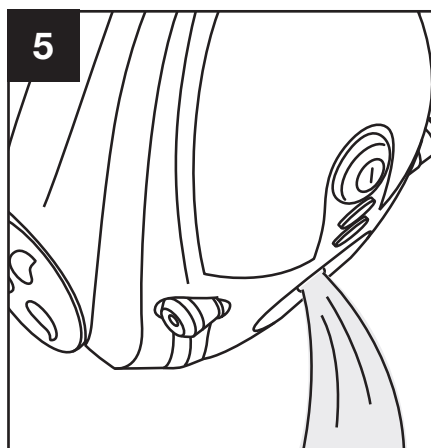
Libere todo el vapor excedente del tanque; para hacerlo, presione el gatillo que libera vapor por la boquilla (el interruptor rojo de seguridad debe estar en la posición de encendido [ON])



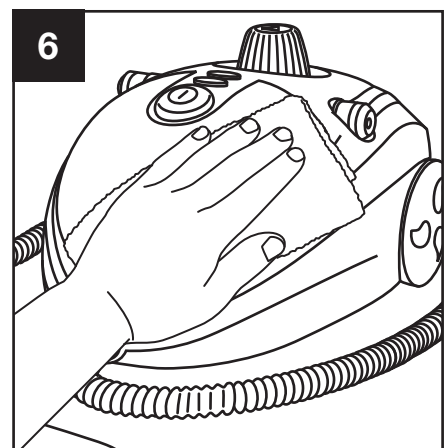
Espere a que la unidad se enfríe completamente (por lo menos 20 minutos).



Bloquee el gatillo que libera vapor por la boquilla para configurarlo en la posición de apagado (OFF) y extraiga todos los accesorios del gatillo.



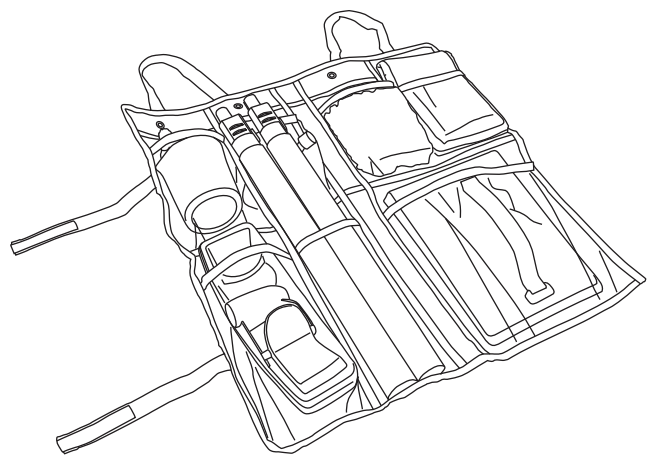
Drene toda el agua excedente del tanque. NUNCA guarde la unidad con agua en el tanque.



Limpie la unidad con un trapo y guárdela en un lugar frío y seco.

Bolsa de almacenamiento

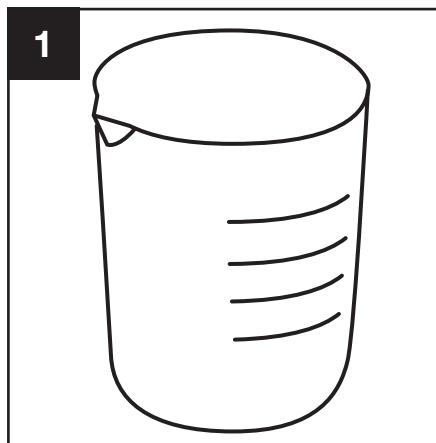
Guarde sus boquillas, cepillos y otras herramientas de su SteamMachine en esta elegante y compacta bolsa de almacenamiento. La bolsa está hecha de un resistente material de lona de nylon que facilita el manejo de todos los accesorios necesarios para su SteamMachine. La bolsa está diseñada con cuatro orificios anillados a lo largo del borde superior y cuatro ganchos que permiten colgarla en una puerta, para poder ubicarla cómodamente y sin estorbar. Las dos correas negras de lazo y gancho al costado permiten doblar la bolsa por la mitad y mantenerla cerrada. Hay también dos asas en la parte superior que permiten transportar la bolsa cómodamente de un lugar a otro.



Acumulación de minerales

Si la fuente de agua municipal contiene alto contenido de minerales, es ALTAMENTE RECOMENDABLE que utilice agua destilada o desmineralizada para utilizar su SteamMachine. Si no puede utilizar agua destilada, se recomienda que lleve a cabo el siguiente procedimiento de limpieza antes de almacenar la unidad.

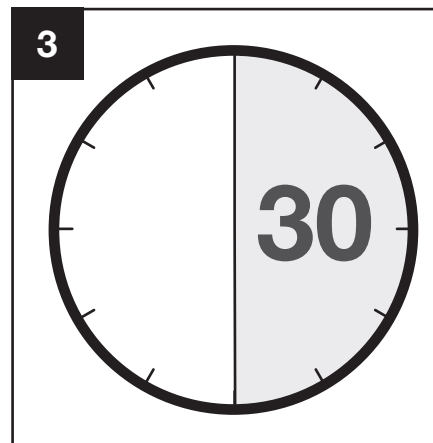
ADVERTENCIA: NUNCA limpie el tanque de agua mientras la unidad esté enchufada a un tomacorriente.



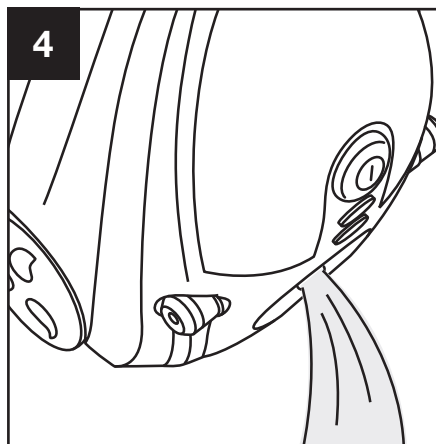
1 Utilice un vaso de medición para mezclar 8 onzas (aproximadamente 227 ml) de vinagre con 8 onzas de agua.



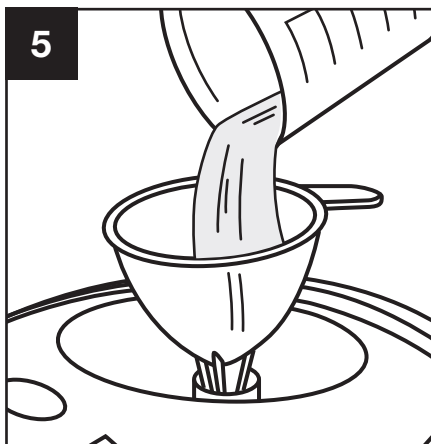
2 Utilice el embudo para verter el líquido en el tanque de agua.



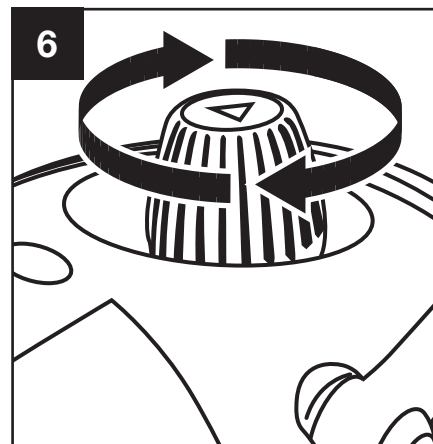
3 Aguarde 30 minutos.



4 Drene la mezcla de agua y vinagre del tanque.



5 Lave el tanque de agua con agua fresca y repita los pasos 1 a 5 hasta que se disipe el olor a vinagre.

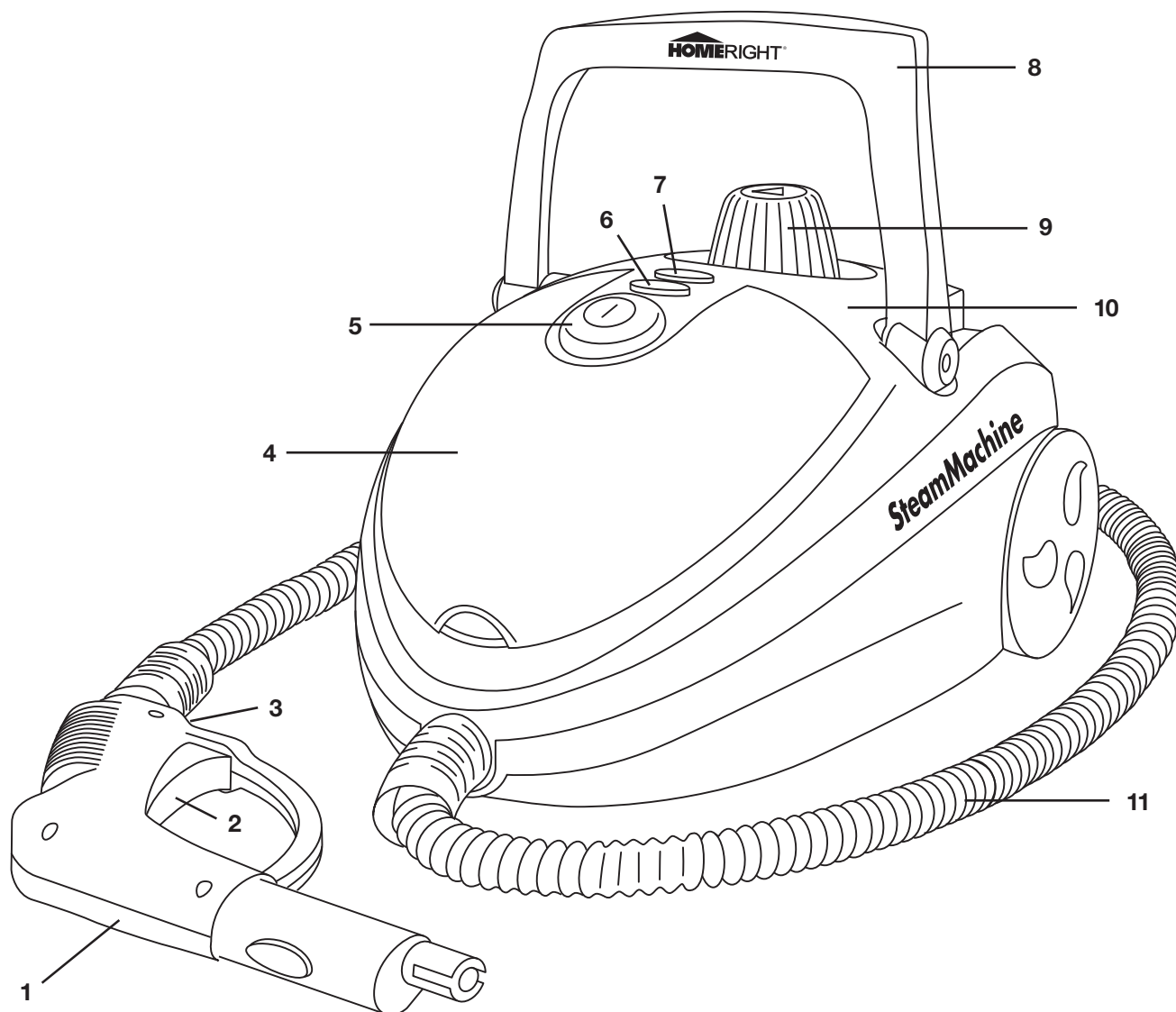


6 Quite el tapón de seguridad del tanque de agua y guárdela en un lugar frío y seco.

Solución de problemas

PROBLEMA	CAUSA	SOLUCIÓN
<p>1. La unidad no caliente. La luz roja de encendido NO se enciende cuando el interruptor de ENCENDIDO/APAGADO (ON/OFF) está en la posición de ENCENDIDO (ON).</p>	<p>A. La unidad no está enchufada. B. Conexión eléctrica defectuosa. C. La unidad está dañada o necesita reparación.</p>	<p>A. Controle el tomacorriente. B. Interrumpa el uso y comuníquese con el Servicio de atención al cliente. C. Interrumpa el uso y comuníquese con el Servicio de atención al cliente.</p>
<p>2. La unidad no caliente. La luz roja de encendido SÍ se enciende cuando el interruptor de ENCENDIDO/APAGADO (ON/OFF) está en la posición de ENCENDIDO (ON).</p>	<p>A. El tanque de agua está vacío. B. Acumulación de minerales en la unidad. C. La unidad está dañada o necesita reparación.</p>	<p>A. Consulte la sección sobre el procedimiento de carga del tanque en la página 32. B. Consulte la sección Acumulación de minerales en la página 38 para conocer el procedimiento de limpieza. C. Interrumpa el uso y comuníquese con el Servicio de atención al cliente.</p>
<p>3. La salida de vapor es débil o intermitente.</p>	<p>A. El nivel de agua en el tanque es bajo. B. La manguera vaporizadora puede plegarse a nivel interno. C. Acumulación de minerales en la unidad.</p>	<p>A. Consulte la sección sobre el procedimiento de carga del tanque en la página 32. B. Despliegue la manguera. Girar la pistola vaporizadora puede ayudar a quitar los pliegues. C. Consulte la sección Acumulación de minerales en la página 38 para conocer el procedimiento de limpieza.</p>
<p>4. Cantidad excesiva de agua en el vapor.</p> <p>NOTA: La unidad SteamMachine produce un gran volumen de vapor. El vapor se puede condensar en agua y formar gotitas de agua en la manguera y las herramientas de vaporización y en la boquilla. Estas gotitas luego se expulsan al utilizar la unidad después de un período de enfriamiento. Esto es normal y no es motivo de preocupación.</p>	<p>A. Condensación de agua en la manguera de vaporización. B. El tanque de agua se ha sobrecargado. C. La unidad no ha alcanzado la temperatura de calor adecuada para funcionar.</p>	<p>A. Apunte la boquilla hacia el lavabo y sacúdala mientras presiona el gatillo de vaporización. B. Cargar el tanque de agua con más de 40 onzas (1200 ml) si el agua interfiere con la generación de vapor puede provocar la condensación de agua. Apague la unidad, deje que se enfríe y drene un poco de agua del tanque. C. Espere hasta que la luz naranja de presión de vapor se apague.</p>
<p>5. Los accesorios no permanecen conectados firmemente a la boquilla principal.</p>	<p>A. Los accesorios no se han colocado correctamente.</p>	<p>A. Consulte la sección de colocación de accesorios en las páginas 35 y 37.</p>
<p>6. La superficie del piso pareciera tener líneas luego de la limpieza.</p>	<p>A. La almohadilla de limpieza está sucia. B. Hay residuos de agua seca en el piso.</p>	<p>A. Reemplace la almohadilla de limpieza por una limpia. B. Pruebe con agua destilada o desmineralizada.</p>

Características



C900134 STEAMMACHINE ELITE

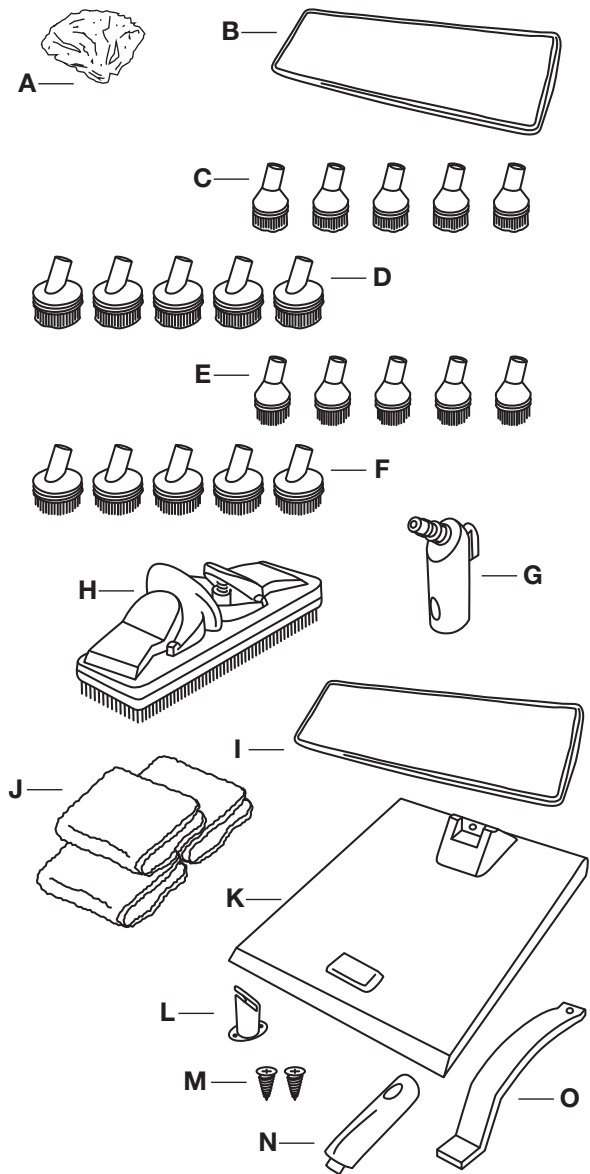
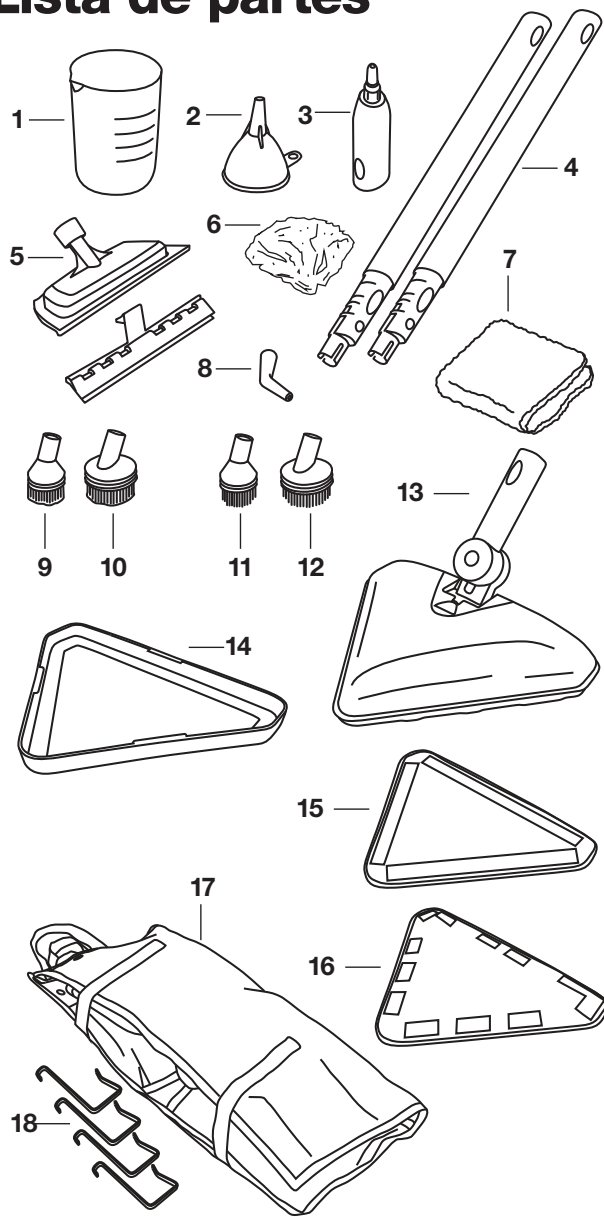
Item	Description
1	Pistola de vapor
2	Gatillo vaporizador
3	Interruptor de bloqueo de vaporización
4	Compartimento de almacenamiento de accesorios (interno)
5	Botón de ENCENDIDO/APAGADO ("ON"/"OFF")

Item	Description
6	Luz roja de funcionamiento
7	Luz naranja de generación de vapor
8	Manija para trasladar
9	Tapón del tanque de agua
10	Tanque de agua (interno)
11	Manguera para vapor

Si no puede adquirir las partes y los accesorios de su proveedor minorista local, llámenos o visite el sitio web homeright.com

Wagner Spray Tech Corporation
 1770 Fernbrook Lane
 Plymouth, MN 55447
 United States of America
 Teléfono: 763-780-5115 • 1-800- 264- 5442
 7:30 a. m. a 4:30 p. m. CST (horario central).

Lista de partes



ACCESORIOS INCLUIDOS

Artículo	N.º de pieza para el Servicio de atención al cliente	Descripción
1	C817558	Vaso de medición
2	C817557	Embudo
3	C817519	Adaptador recto
4	C817552	Accesorios de extensión (2)
5	C817522	Escurridor y vaporizadores para tejidos
6	C817755	Bonete de tela para vaporizador de tejido
7	C817556	Toalla para la limpieza de microfibra
8	C817524	Boquilla de chorro
9	C817554	Escobilla pequeña utilitaria de bronce
10	C817756	Escobilla grande de bronce
11	C817725	Escobilla pequeña utilitaria de nailon
12	C817555	Escobilla grande utilitaria de nailon
13	C818146	Cabezal del trapeador triangular
14	C818147	Deslizador triangular para alfombras
15	C818148	Almohadilla triangular de microfibra
16	C818331	Almohadilla triangular de poliéster/algodón
17	C818090	Bolsa de almacenamiento
18	C818091	Ganchos de la bolsa de almacenamiento

ACCESORIOS ADICIONALES

Artículo	N.º de pieza para el Servicio de atención al cliente	Descripción
A	C817755	Bonete de tela para vaporizador de tejido, 1 paquete
B	C800938.M	Almohadilla de remojo de felpilla, 1 paquete
C	C800945.M	Escobilla pequeña utilitaria de bronce, paquete de 5
D	C800946.M	Escobilla grande de bronce, paquete de 5
E	C800947.M	Escobilla pequeña utilitaria de nailon, paquete de 5
F	C800948.M	Escobilla grande utilitaria de nailon, paquete de 5
G	C817520	Adaptador angulado para la escobilla grande
H	C817523	Escobilla grande de limpieza
I	C800937.M	Almohadilla de microfibra para la escobilla grande de limpieza
J	C800944.M	Toalla para la limpieza de microfibra, paquete de 3
K	C800893	Placa de vapor para papel tapiz ensamblado
L		Difusor para la placa de vapor
M		Tornillos para el difusor de la placa de vapor (2)
N		Accesorio adaptador para la placa de vapor
O		Mango de la placa de vapor

Two Year Limited Warranty

HomeRight® warrants this product from any defects in material or workmanship for two years from the date of purchase, when it is maintained and operated according to the instructions in the Instruction Manual. HomeRight will repair or replace defective product at no charge and return postage-paid to you. This warranty does not cover accessories or damage resulting from improper use, negligence, accidents, or normal wear and tear. This warranty is void if used for commercial or rental purposes.

Any implied warranty or merchantability or fitness for a particular purpose is limited to two years following date of purchase.

Responsibility is limited to the repair or replacement for defects in material or workmanship. HomeRight shall not in any event be liable for any incidental or consequential damages of any kind, whether for breach of this warranty or any other reason.

Some states do not allow a limitation on how long implied warranties last or the exclusion of incidental or consequential damages, so the above limitation and exclusion may not apply to you.

This warranty gives you specific legal rights, and you may also have other rights which vary from state to state.

For warranty service, send your product postage-paid along with a description of the problem to: Wagner Spray Tech Corporation, 1770 Fernbrook Lane, Plymouth, MN 55447, United States of America or call customer service at 1-800-264-5442, 763-780-5115 for further assistance.

Garantie limitée de deux ans

HomeRight garantit ce produit contre tout défaut de matériel ou de main-d'œuvre, pour deux ans à partir de la date de compra, siempre que se mantenga y maneje de acuerdo con las indicaciones del manual de instrucciones. HomeRight reparará o cambiará el producto defectuoso sin costo para usted y se lo enviará con el franqueo prepagado. Esta garantía no cubre accesorios ni daños resultantes del uso indebido, negligencia, accidentes o desgaste normal. La garantía es nula si se la utiliza con fines comerciales o de alquiler.

Cualquier garantía implícita o de comercialización o de idoneidad para un propósito específico se limita a dos años a partir de la fecha de la compra.

La responsabilidad de la compañía se limita a la reparación o al reemplazo de los defectos de material o mano de obra. Bajo ninguna circunstancia, HomeRight se hará responsable por daños accidentales o derivados de ningún tipo que se originen por la violación de esta garantía o por cualquier otro motivo.

Algunos estados no permiten limitar la duración de las garantías implícitas ni excluir los daños accidentales o derivados, de modo que los límites y las exclusiones anteriores podrían no corresponder en su caso.

Esta garantía le otorga derechos legales específicos, a los cuales se pueden agregar otros que varían de estado en estado.

Para obtener servicio cubierto por la garantía, envíe su producto con franqueo pagado y una descripción del problema a la siguiente dirección: Wagner Spray Tech Corporation, 1770 Fernbrook Lane, Plymouth, MN 55447, United States of America; o llame al departamento de servicio al cliente al 1-800-264-5442, 763-780-5115 si requiere más ayuda.

Garantía limitada por dos años

HomeRight garantit ce produit contre tout défaut de matériaux et de main-d'œuvre pendant une période de deux ans à partir de la date d'achat s'il est entretenu et utilisé selon les directives contenues dans le manuel d'instruction. HomeRight procédera aux réparations nécessaires ou au remplacement sans frais et vous renverra l'outil port payé. Cette garantie ne couvre pas les accessoires, ni les dommages découlant d'une utilisation inadéquate, d'une négligence, d'un accident ou de l'usure et de la détérioration normales. Cette garantie est nulle si l'appareil est utilisé à des fins commerciales ou de location.

Toute garantie implicite quant à la qualité marchande ou à l'adaptation à un usage particulier est limitée à deux ans suivant la date d'achat.

La responsabilité de la société se limite aux réparations ou au remplacement suite à des défauts éventuelles de matériaux ou de main-d'œuvre. HomeRight décline toute responsabilité pour tout dommage accessoire ou indirect de quelque nature que ce soit, y compris pour violation de cette garantie ou tout autre motif.

Certaines provinces interdisant de limiter la durée des garanties implicites et d'exclure les dommages directs ou indirects, il se peut que les limitations et exclusions ci-dessus ne vous concernent pas.

La présente garantie vous accorde des recours juridiques particuliers et il se peut que vous jouissiez d'autres recours, qui peuvent varier d'une province à l'autre.

Pour le service de garantie, faites parvenir le produit dûment affranchi, accompagné d'une description du problème à : Wagner Spray Tech Corporation, 1770 Fernbrook Lane, Plymouth, MN 55447, United States of America, États-Unis, ou appelez le service à la clientèle au 1 800 264-5442, (763) 780-5115 pour obtenir une assistance supplémentaire.

Wagner Spray Tech Corporation,
1770 Fernbrook Lane, Plymouth, MN 55447,
United States of America
Phone 763-780-5115
Customer Service Line 1-800-264-5442
7:30 a.m. to 4:30 p.m. CST
www.homeright.com
Printed in China

Wagner Spray Tech Corporation,
1770 Fernbrook Lane, Plymouth, MN 55447,
United States of America
Tél. : 763-780-5115
Service à la clientèle : 1-800-264-5442
7.5 h à 16.5 h, heure normale du Centre
www.homeright.com
Fabriqué en Chine

Wagner Spray Tech Corporation,
1770 Fernbrook Lane, Plymouth, MN 55447,
United States of America
Tel: 763-780-5115
Servicio al cliente: 1-800-264-5442
7:30 a.m. a 4:30 p.m.
(hora del Centro de EE. UU.)
www.homeright.com
Hecho en China

Register Online Today To Activate Your Two-Year Warranty
Enregistrez en ligne aujourd'hui Pour lancer votre garantie de deux ans
Regístrese en línea hoy Para activar su garantía de dos años

<http://www.homeright.com/product-registration>